



HWIR221-LO3

Iron Vertical Rim Lock, Passage

3-3/4" x 6" x 1-1/4"

Small forged iron vertical rim lock and keeper, passage.



Shown as right hand with a dark wax iron finish.

SPECIFICATIONS

Finishes:

- BLIR, DWIR, NAIR, RUIR, BLAQ

Standard Components:

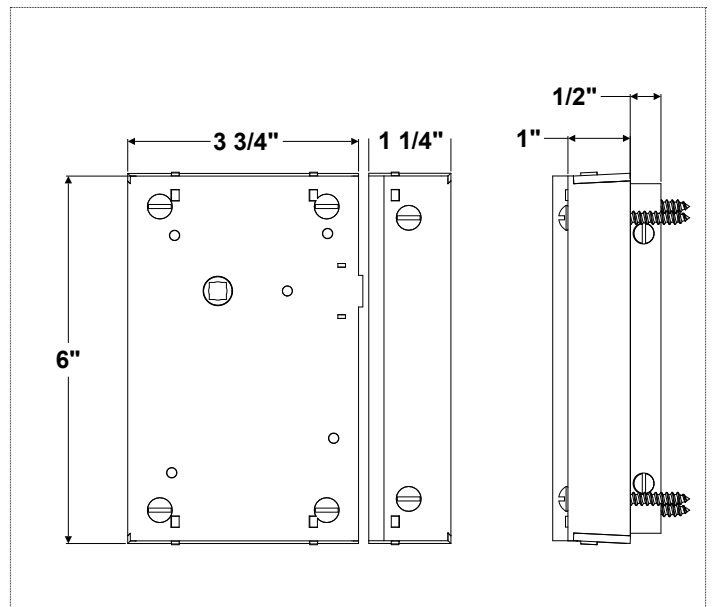
- Forged Iron Box Lock
- Forged Iron Keeper
- (8) Screws

Alternate Components:

- Standard Knob or Lever

Additional Product Information:

- Drawings, Installation Instructions, and Hardware Spec Order Form available upon request.
- *Must complete **Spec Order Form** when ordering.



Items are handmade. Slight variations in size may occur.

FINISHES	BRASS	IRON	NICKEL
	DABS Dark Antiqued*	BLIR Satin Black Exterior	PONI Polished
	LABS Light Antiqued*	DWIR Dark Wax*	BRNI Brushed
	PUBS Polished Unlacquered	NAIR Natural	AQNI Antiqued Polished
	PLBS Polished Lacquered	RUIR Rustic	
	BRBS Brushed*	BLAQ Black Lacquer	
	BZBS Bronzed*		

*Clear coat finish available