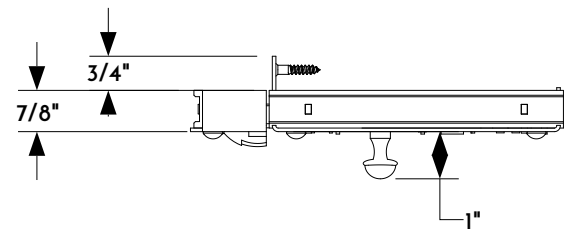
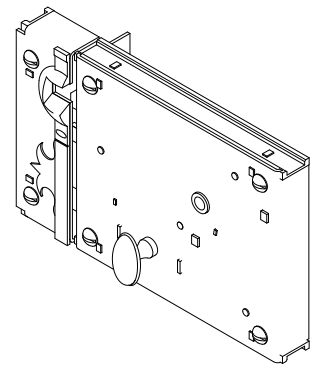


2 FRONT VIEW



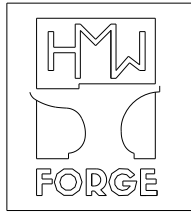
1 TOP VIEW



3 ISOMETRIC VIEW

NOTE: Items are hand made one at a time.
 There may be slight variations in measurement
 and tolerances when comparing to actual Cad
 drawing.

CONFIDENTIALITY STATEMENT. The information contained in
 this Drawing, including attachments, is confidential information property
 of Heritage Metalworks LLC., HMW Forge and Scofield lighting. The
 information is intended for use solely by the individual or entity named
 in the message and or email sent with. Any unauthorized review,
 printing, copying, reproduction or distribution of such information to
 other parties is prohibited. If you are not an intended recipient of this,
 please notify Heritage Metalworks LLC. by reply e-mail and delete from
 your system.



<i>Heritage Metalworks LLC.</i>	
HWIR218-OP5	
<i>6 x 4 7/8" Iron Carpenter Lock w/ Thumb Turn</i>	

Revision : 1
Rev Date : 11/2/21
Notes : New Format
Drawn By : CLL