



HWIR218

Iron Horizontal Carpenter Lock, Sm

6" x 4-7/8" x 1-5/8"

Small forged iron horizontal carpenter lock and keeper.



Shown as right hand with a dark wax iron finish.

SPECIFICATIONS

Finishes:

- **Iron:** BLIR, DWIR, NAIR, RUIR, BLAQ
- **Brass:** DABS, LABS, PUBS, PLBS, BRBS, BZBS, BLIR, DWIR, NAIR, RUIR, BLAQ, PONI, BRNI, AQNI

Standard Components:

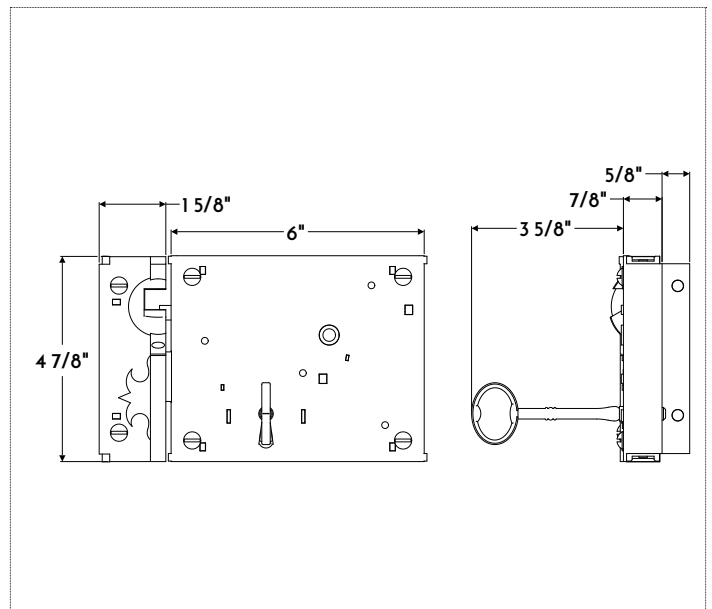
- Forged Iron Box Lock
- Forged Iron Keeper
- Cast Brass Skeleton Key
- (8) Screws

Alternate Components:

- Standard Knob or Lever
- Skeleton Key Escutcheon recommended for opposing side

Additional Product Information:

- Drawings, Installation Instructions, and Hardware Spec Order Form available upon request.
- *Must complete **Spec Order Form** when ordering.



Items are handmade. Slight variations in size may occur.

FINISHES	BRASS	IRON	NICKEL
	DABS Dark Antiqued*	BLIR Satin Black Exterior	PONI Polished
	LABS Light Antiqued*	DWIR Dark Wax*	BRNI Brushed
	PUBS Polished Unlacquered	NAIR Natural	AQNI Antiqued Polished
	PLBS Polished Lacquered	RUIR Rustic	
	BRBS Brushed*	BLAQ Black Lacquer	
	BZBS Bronzed*		

*Clear coat finish available