



# VEHW280

Brass Ball Catch

1" x 2-1/8"

Brass ball catch.



Shown with a polished brass finish.

## SPECIFICATIONS

### Finishes:

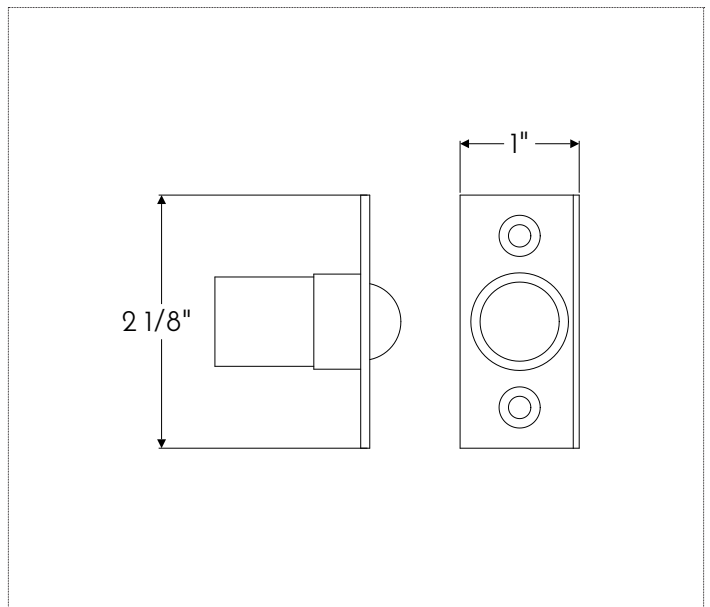
- DABS, LABS, PUBS, PLBS, BRBS, BZBS  
PONI, BRNI

### Standard Components:

- Brass Catch
- (2) Screws

### Additional Product Information:

- Drawings, Installation Instructions, and Hardware Spec Order Form available upon request.
- \*Must complete **Spec Order Form** when ordering.



Items are handmade. Slight variations in size may occur.

FINISHES	BRASS	IRON	NICKEL
	DABS Dark Antiqued*	BLIR Satin Black Exterior	PONI Polished
	LABS Light Antiqued*	DWIR Dark Wax*	BRNI Brushed
	PUBS Polished Unlacquered	NAIR Natural	AQNI Antiqued Polished
	PLBS Polished Lacquered	RUIR Rustic	
	BRBS Brushed*	BLAQ Black Lacquer	
	BZBS Bronzed*		

\*Clear coat finish available