



# HWBS107-LO4

Brass Horizontal Rim Lock Lg, Fixed Key

8-3/4" x 5-7/8" x 1-1/2"

Large cast brass horizontal rim lock with fixed key.



Shown as right hand with a polished brass finish.

## SPECIFICATIONS

### Finishes:

- DABS, LABS, PUBS, PLBS, BRBS, BZBS, PONI, BRNI, AQNI

### Standard Components:

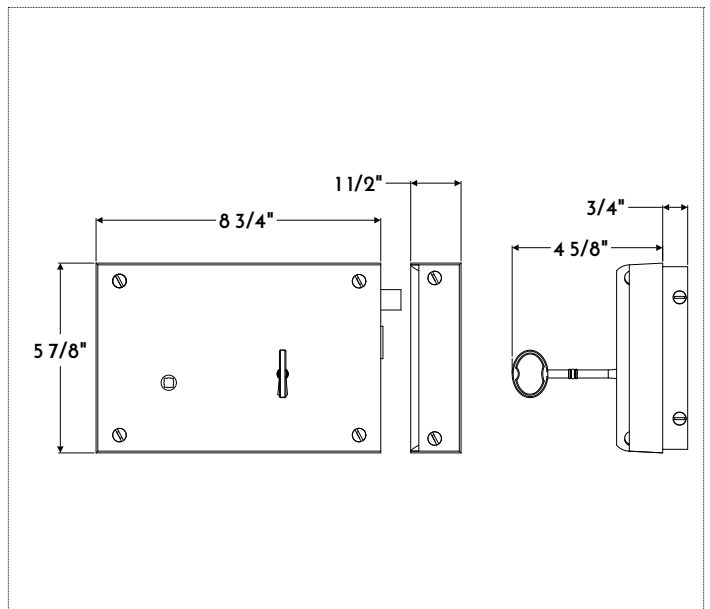
- Cast Brass Box Lock
- Cast Brass Keeper
- Cast Brass Skeleton Key
- (8) Screws

### Alternate Components:

- Standard Knob or Lever

### Additional Product Information:

- Drawings, Installation Instructions, and Hardware Spec Order Form available upon request.
- \*Must complete **Spec Order Form** when ordering.



Items are handmade. Slight variations in size may occur.

FINISHES	BRASS	IRON	NICKEL
	DABS Dark Antiqued*	BLIR Satin Black Exterior	PONI Polished
	LABS Light Antiqued*	DWIR Dark Wax*	BRNI Brushed
	PUBS Polished Unlacquered	NAIR Natural	AQNI Antiqued Polished
	PLBS Polished Lacquered	RUIR Rustic	
	BRBS Brushed*	BLAQ Black Lacquer	
	BZBS Bronzed*		

\*Clear coat finish available