



ASSOR110

Pawn Brass Thumb Turn, Sm

2-1/4" x 1-3/8"

Small turned pawn brass thumb turn.



Shown with a polished brass finish.

SPECIFICATIONS

Finishes:

- DABS, LABS, PUBS, PLBS, BRBS, BZBS, PONI, BRNI, AQNI

Standard Components:

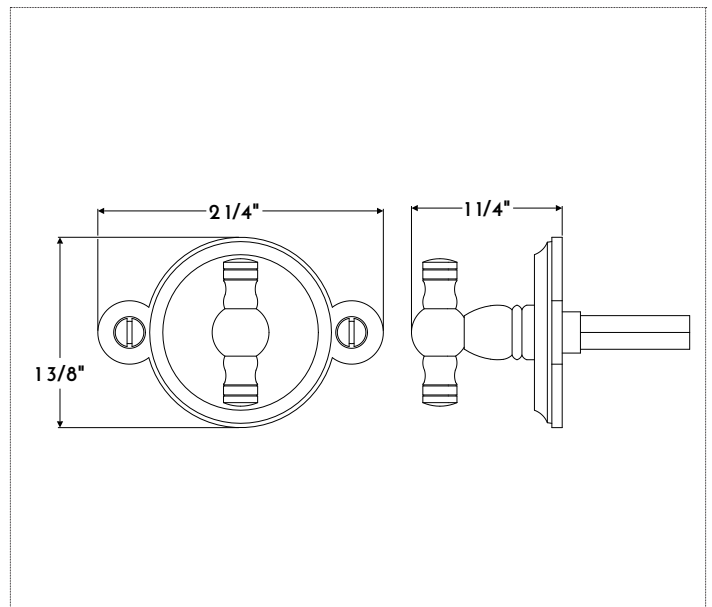
- Machined Brass Thumb Turn
- Cast Brass Backplate
- Tailpiece
- (2) Screws

Alternate Components:

- Thumb Turn Variations (ASSOR109, ASSOR114, ASSOR115, ASSOR117)

Additional Product Information:

- Drawings, Installation Instructions, and Hardware Spec Order Form available upon request.
- *Must complete **Spec Order Form** when ordering.



Items are handmade. Slight variations in size may occur.

FINISHES	BRASS	IRON	NICKEL
	DABS Dark Antiqued*	BLIR Satin Black Exterior	PONI Polished
	LABS Light Antiqued*	DWIR Dark Wax*	BRNI Brushed
	PUBS Polished Unlacquered	NAIR Natural	AQNI Antiqued Polished
	PLBS Polished Lacquered	RUIR Rustic	
	BRBS Brushed*	BLAQ Black Lacquer	
	BZBS Bronzed*		

*Clear coat finish available