



# HWIR516

HL-Hinge, Standard

8-5/8" x 10" x 3-1/8"

Pair of 10" forged iron standard HL-hinges.



Shown with a dark wax iron finish.

## SPECIFICATIONS

### Finishes:

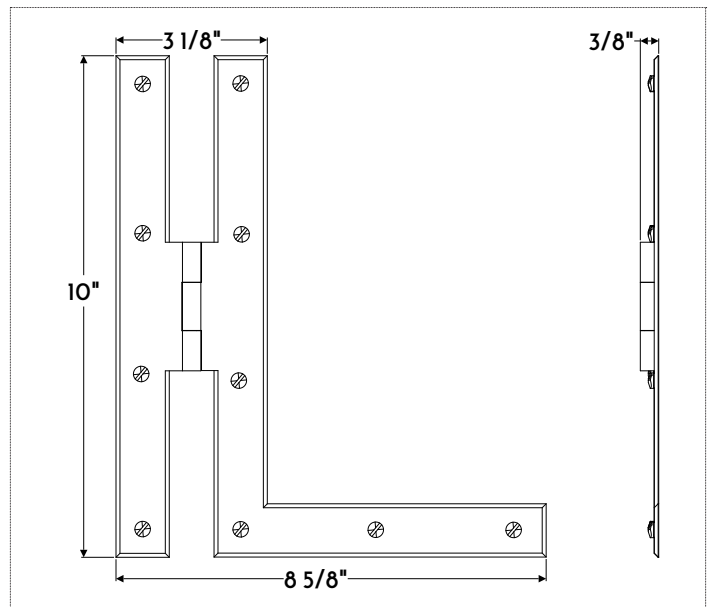
- BLIR, DWIR, NAIR, RUIR, BLAQ

### Standard Components:

- Pair of Forged Iron Hinges
- (20) Screws

### Additional Product Information:

- Drawings, Installation Instructions, and Hardware Spec Order Form available upon request.
- \*Must complete **Spec Order Form** when ordering.



Items are handmade. Slight variations in size may occur.

FINISHES	BRASS	IRON	NICKEL
	DABS Dark Antiqued*	BLIR Satin Black Exterior	PONI Polished
	LABS Light Antiqued*	DWIR Dark Wax*	BRNI Brushed
	PUBS Polished Unlacquered	NAIR Natural	AQNI Antiqued Polished
	PLBS Polished Lacquered	RUIR Rustic	
	BRBS Brushed*	BLAQ Black Lacquer	
	BZBS Bronzed*		

\*Clear coat finish available