



HWIR500

H-Hinge, Foliated

3" x 10"

Pair of 10" forged iron foliated h-hinges.



Shown with a dark wax iron finish.

SPECIFICATIONS

Finishes:

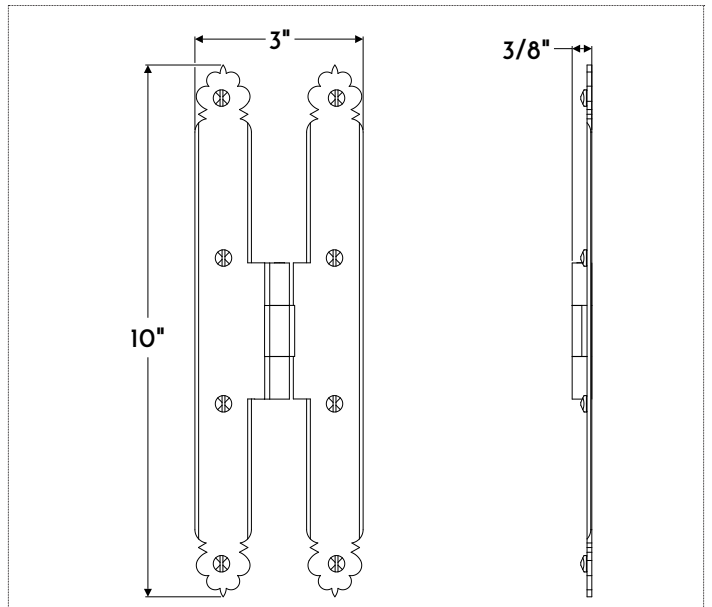
- BLIR, DWIR, NAIR, RUIR, BLAQ

Standard Components:

- Pair of Forged Iron Hinges
- (16) Screws

Additional Product Information:

- Drawings, Installation Instructions, and Hardware Spec Order Form available upon request.
- *Must complete **Spec Order Form** when ordering.



Items are handmade. Slight variations in size may occur.

| FINISHES | BRASS | IRON | NICKEL |
|----------|---------------------------|---------------------------|------------------------|
| | DABS Dark Antiqued* | BLIR Satin Black Exterior | PONI Polished |
| | LABS Light Antiqued* | DWIR Dark Wax* | BRNI Brushed |
| | PUBS Polished Unlacquered | NAIR Natural | AQNI Antiqued Polished |
| | PLBS Polished Lacquered | RUIR Rustic | |
| | BRBS Brushed* | BLAQ Black Lacquer | |
| | BZBS Bronzed* | | |

*Clear coat finish available