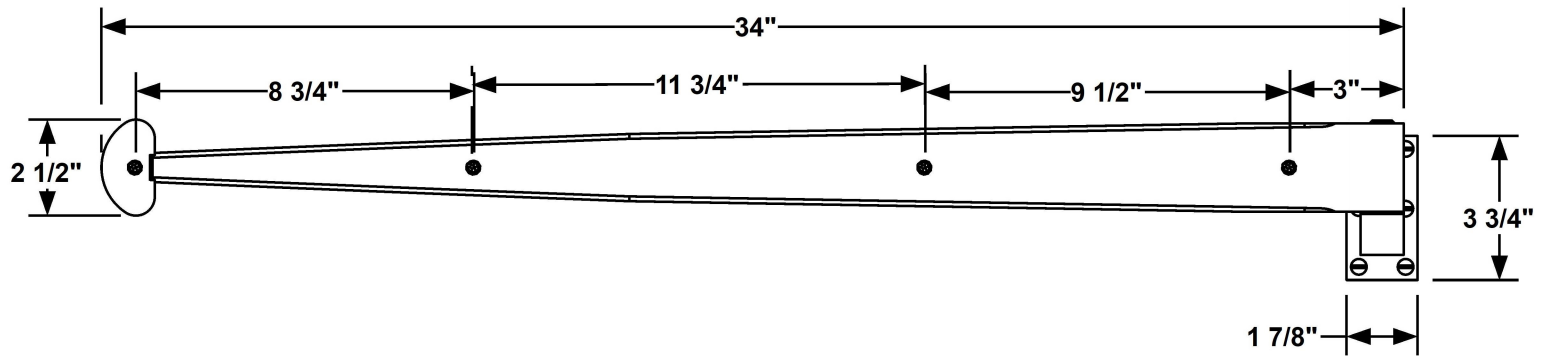


PLATE PINTLE OPTION

SEE FINAL
PAGE FOR
OPTIONS



2 TOP VIEW



1 FRONT VIEW

NOTE: Items are hand made one at a time.
There may be slight variations in measurement
and tolerances when comparing to actual Cad
drawing.

CONFIDENTIALITY STATEMENT. The information contained in this Drawing, including attachments, is confidential information property of Heritage Metalworks LLC., HMW Forge and Scofield lighting. The information is intended for use solely by the individual or entity named in the message and or email sent with. Any unauthorized review, printing, copying, reproduction or distribution of such information to other parties is prohibited. If you are not an intended recipient of this, please notify Heritage Metalworks LLC. by reply e-mail and delete from your system.



Heritage Metalworks LLC

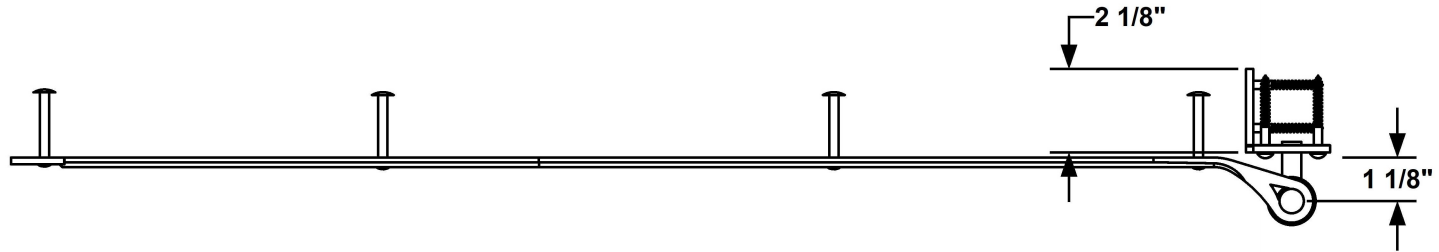
HWIR461

34" BEAN TIP STRAP HINGE

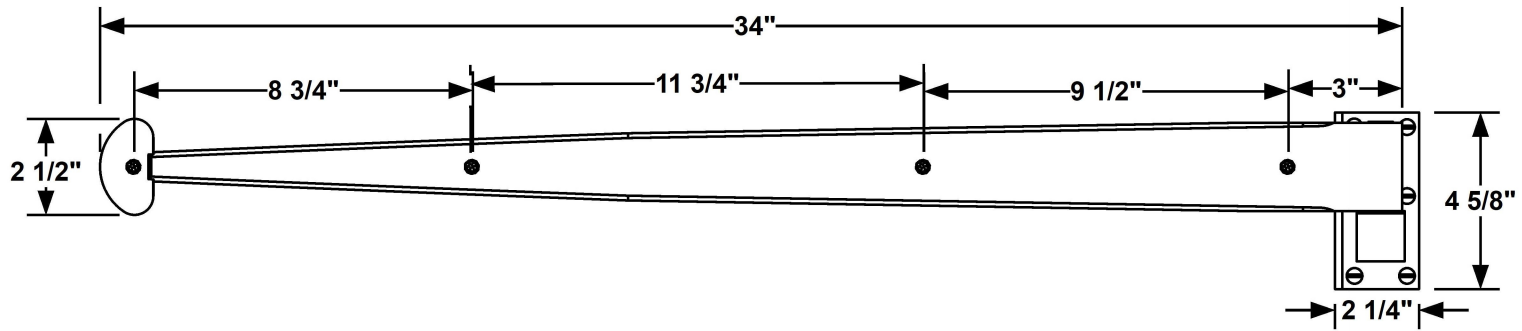
DATE: 10/25/2024
DATE REV:
DRAWN BY: JTH
FINALIZED BY:

HD PINTLE OPTION

SEE FINAL
PAGE FOR
OPTIONS



2 TOP VIEW



1 FRONT VIEW

NOTE: Items are hand made one at a time.
There may be slight variations in measurement
and tolerances when comparing to actual Cad
drawing.

CONFIDENTIALITY STATEMENT. The information contained in this Drawing, including attachments, is confidential information property of Heritage Metalworks LLC., HMW Forge and Scofield lighting. The information is intended for use solely by the individual or entity named in the message and or email sent with. Any unauthorized review, printing, copying, reproduction or distribution of such information to other parties is prohibited. If you are not an intended recipient of this, please notify Heritage Metalworks LLC. by reply e-mail and delete from your system.



Heritage Metalworks LLC

HWIR461

34" BEAN TIP STRAP HINGE

DATE: 10/25/2024
DATE REV:
DRAWN BY: JTH
FINALIZED BY: