



HWIR461

Bean Strap Hinge, HD

34" x 2-1/2", 5/8" pintle

Pair of heavy duty forged iron 34" bean strap hinges.



Shown as right hand with a dark wax iron finish.

SPECIFICATIONS

Finishes:

- BLIR, DWIR, NAIR, RUIR, BLAQ

Standard Components:

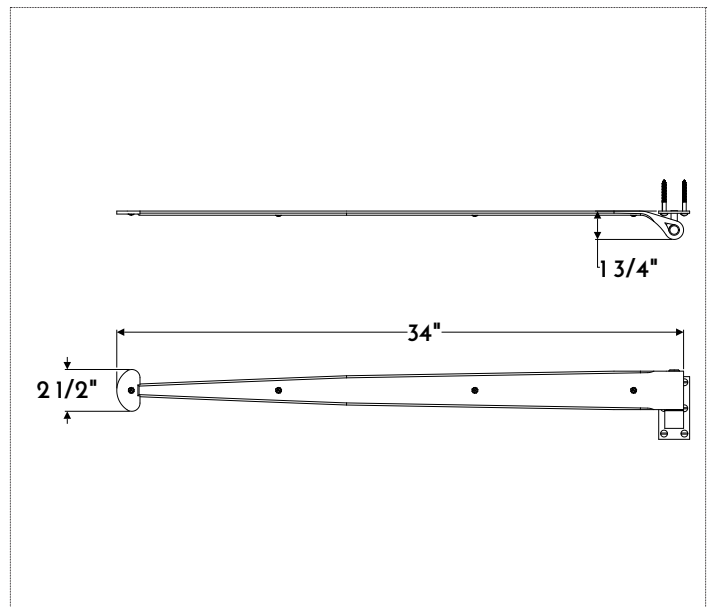
- Pair of Forged Iron Strap Hinges
- Pair of Plate Pintles
- (2) Nylon Pintle Washers
- (8) Truss Rivets
- (8) Screws

Alternate Components:

- Choose Pintle Type: Butt Pintle, Plate Pintle, HD Butt Plate Pintle, Rattail Pintle, or Lag Pintle
- Choose Fastener: Pyramid Head Lag, Truss Rivet, or Carriage Bolt with Washer and Nut

Additional Product Information:

- Drawings, Installation Instructions, and Hardware Spec Order Form available upon request.
- *Must complete **Spec Order Form** when ordering.



Items are handmade. Slight variations in size may occur.

FINISHES	BRASS	IRON	NICKEL
	DABS Dark Antiqued*	BLIR Satin Black Exterior	PONI Polished
	LABS Light Antiqued*	DWIR Dark Wax*	BRNI Brushed
	PUBS Polished Unlacquered	NAIR Natural	AQNI Antiqued Polished
	PLBS Polished Lacquered	RUIR Rustic	
	BRBS Brushed*	BLAQ Black Lacquer	
	BZBS Bronzed*		

*Clear coat finish available