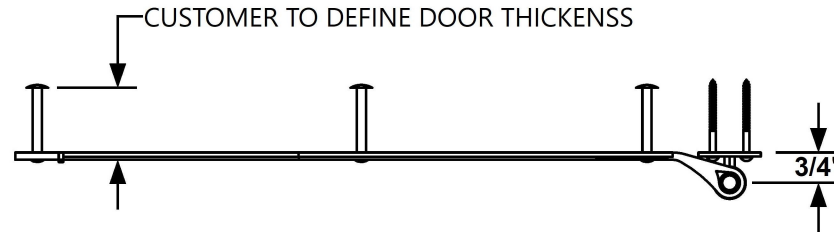
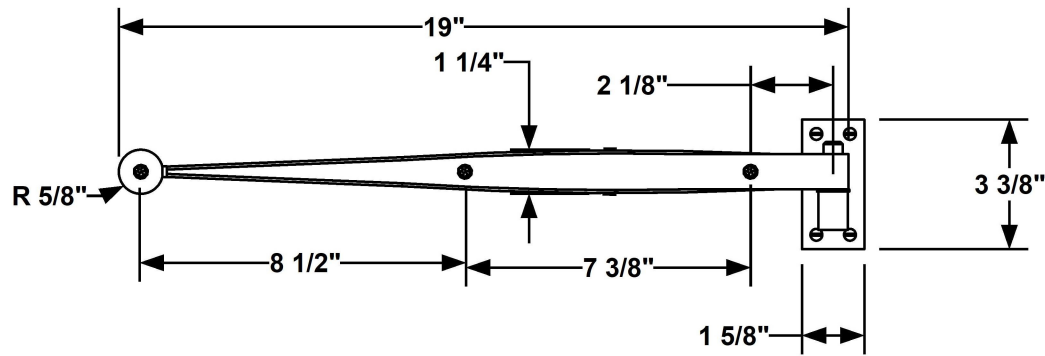


# PLATE PINTLE OPTION

SEE FINAL  
PAGE FOR  
OPTIONS




2 TOP VIEW



1 FRONT VIEW

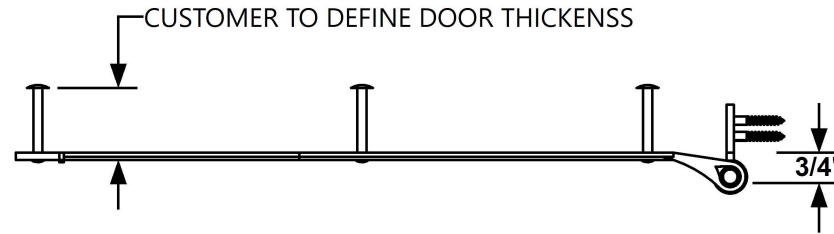
NOTE: Items are hand made one at a time.  
There may be slight variations in measurement  
and tolerances when comparing to actual Cad  
drawing.

CONFIDENTIALITY STATEMENT. The information contained in this Drawing, including attachments, is confidential information property of Heritage Metalworks LLC., HMW Forge and Scofield lighting. The information is intended for use solely by the individual or entity named in the message and or email sent with. Any unauthorized review, printing, copying, reproduction or distribution of such information to other parties is prohibited. If you are not an intended recipient of this, please notify Heritage Metalworks LLC. by reply e-mail and delete from your system.

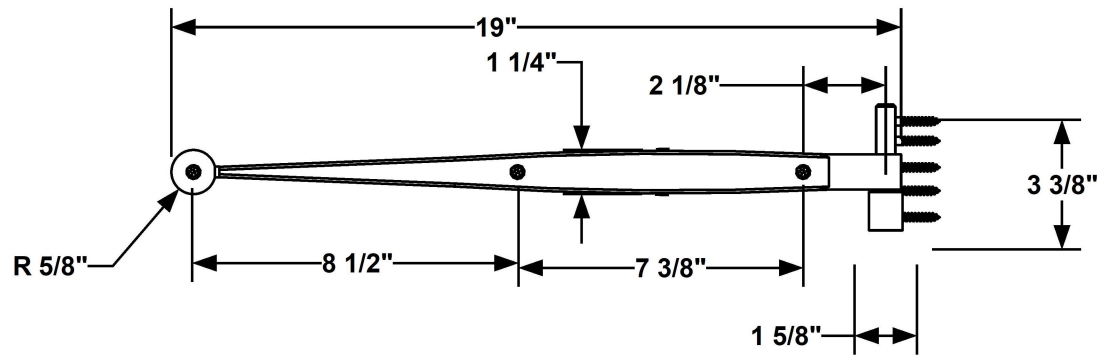
	Heritage Metalworks LLC	DATE: 10/25/2024
	HWIR459	DATE REV:
	19" OKIE PENNY TIP STRAP HINGE	DRAWN BY: JTH
		FINALIZED BY:

# BUTT PINTLE OPTION

SEE FINAL  
PAGE FOR  
OPTIONS



2 TOP VIEW



1 FRONT VIEW

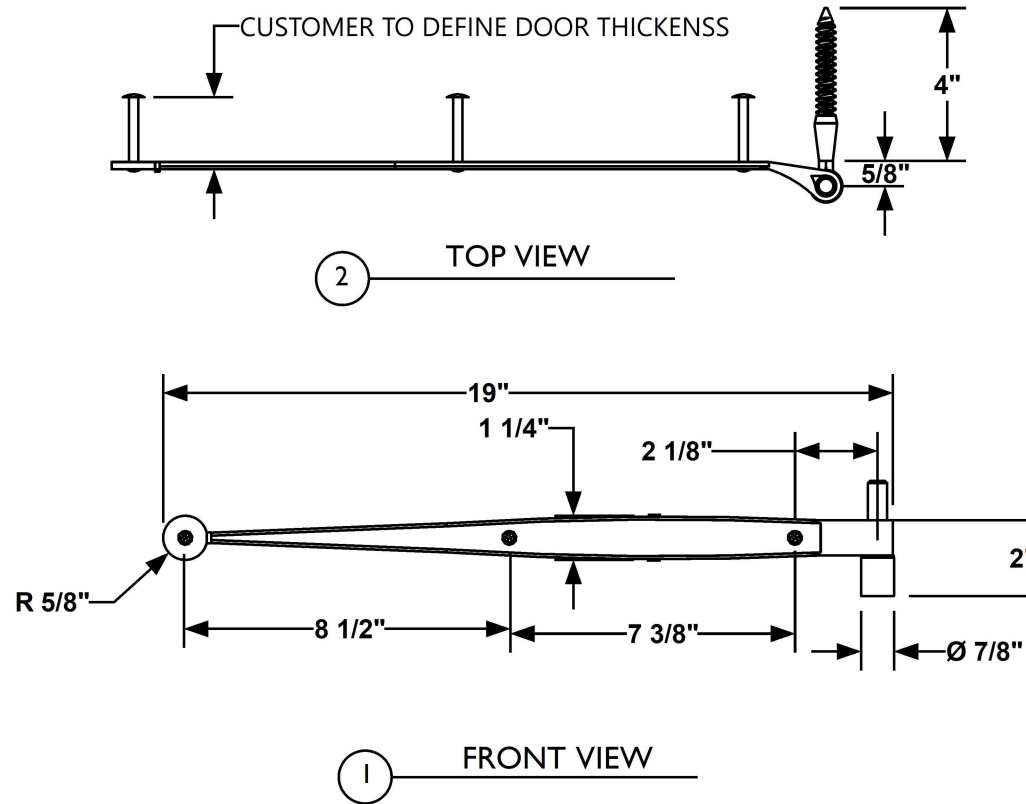
NOTE: Items are hand made one at a time.  
There may be slight variations in measurement  
and tolerances when comparing to actual Cad  
drawing.

CONFIDENTIALITY STATEMENT. The information contained in this Drawing, including attachments, is confidential information property of Heritage Metalworks LLC., HMW Forge and Scofield lighting. The information is intended for use solely by the individual or entity named in the message and or email sent with. Any unauthorized review, printing, copying, reproduction or distribution of such information to other parties is prohibited. If you are not an intended recipient of this, please notify Heritage Metalworks LLC. by reply e-mail and delete from your system.

	Heritage Metalworks LLC	DATE: 10/25/2024
	HWIR459	DATE REV:
	19" OKIE PENNY TIP STRAP HINGE	DRAWN BY: JTH
		FINALIZED BY:


# LAG PINTLE OPTION

SEE FINAL  
PAGE FOR  
OPTIONS



NOTE: Items are hand made one at a time.  
There may be slight variations in measurement  
and tolerances when comparing to actual Cad  
drawing.

CONFIDENTIALITY STATEMENT. The information contained in this Drawing, including attachments, is confidential information property of Heritage Metalworks LLC., HMW Forge and Scofield lighting. The information is intended for use solely by the individual or entity named in the message and or email sent with. Any unauthorized review, printing, copying, reproduction or distribution of such information to other parties is prohibited. If you are not an intended recipient of this, please notify Heritage Metalworks LLC. by reply e-mail and delete from your system.

	Heritage Metalworks LLC	DATE: 10/25/2024
	HWIR459	DATE REV:
	19" OKIE PENNY TIP STRAP HINGE	DRAWN BY: JTH
		FINALIZED BY: