



# HWIR106

## Kershner Ball Thumb Latch

2-1/2" x 12-1/4"

Forged iron kershner ball thumb latch with lift bar and keeper.



Winterthur Licensee



Shown with a dark wax iron finish.

### SPECIFICATIONS

#### Finishes:

- BLIR, DWIR, NAIR, RUIR, BLAQ

#### Standard Components:

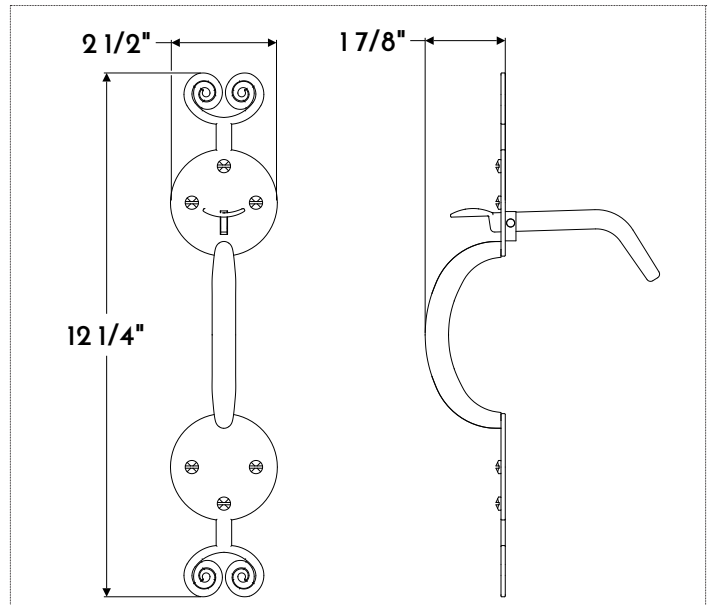
- Forged Iron Latch Pull
- Lift Bar
- Keeper & Staple
- (8) Screws

#### Alternate Components:

- Lift Bar for opposing side (Standard, Reverse Offset, Okie Style Spade, Thumb, Okie Style Thumb, HWIR213, HWIR250, HWIR251)

#### Additional Product Information:

- Drawings, Installation Instructions, and Hardware Spec Order Form available upon request.
- \*Must complete **Spec Order Form** when ordering.



Items are handmade. Slight variations in size may occur.

FINISHES	BRASS	IRON	NICKEL
	DABS Dark Antiqued*	BLIR Satin Black Exterior	PONI Polished
	LABS Light Antiqued*	DWIR Dark Wax*	BRNI Brushed
	PUBS Polished Unlacquered	NAIR Natural	AQNI Antiqued Polished
	PLBS Polished Lacquered	RUIR Rustic	
	BRBS Brushed*	BLAQ Black Lacquer	
	BZBS Bronzed*		

\*Clear coat finish available