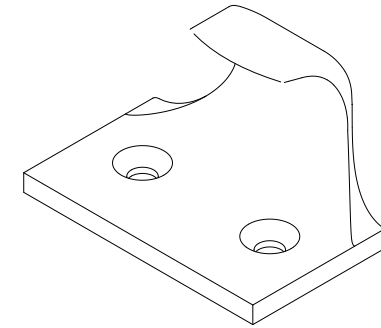
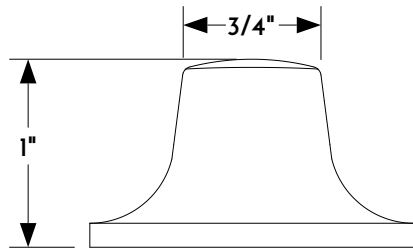


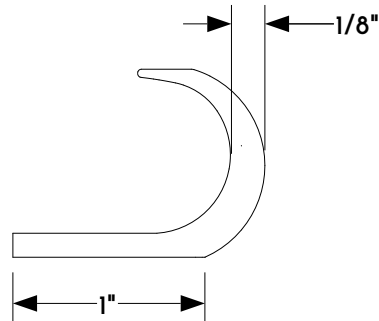
1 TOP VIEW



4 ISOMETRIC VIEW




2 FRONT VIEW



3 SIDE VIEW

NOTE: Items are hand made one at a time.  
There may be slight variations in measurement  
and tolerances when comparing to actual Cad  
drawing.

CONFIDENTIALITY STATEMENT. The information contained in  
this Drawing, including attachments, is confidential information property  
of Heritage Metalworks LLC., HMW Forge and Scofield lighting. The  
information is intended for use solely by the individual or entity named  
in the message and or email sent with. Any unauthorized review,  
printing, copying, reproduction or distribution of such information to  
other parties is prohibited. If you are not an intended recipient of this,  
please notify Heritage Metalworks LLC. by reply e-mail and delete from  
your system.

	Heritage Metalworks LLC.	Revision : 1
	HWIR615	Rev Date : 11/2/21
	Iron Sash Lift, Heavy Duty	Notes: New Format Drawn By: CLL