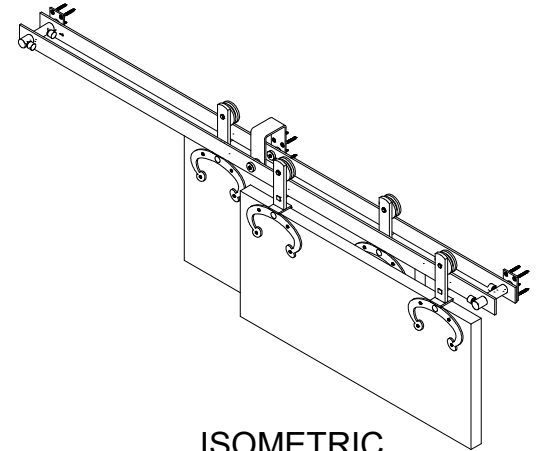
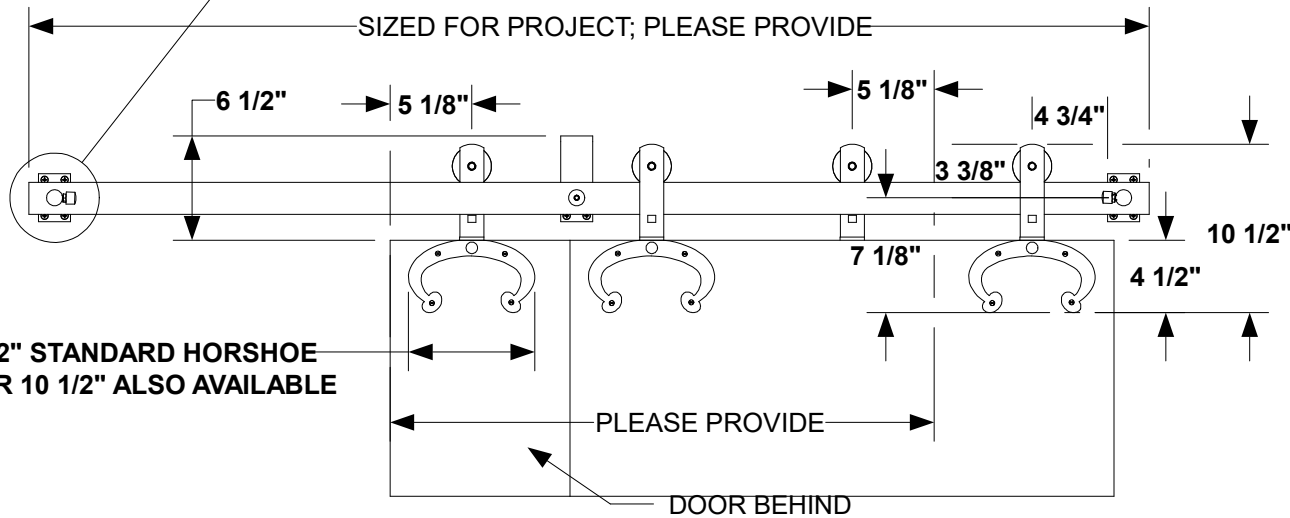


② BRACKET SCREW SPACING



ISOMETRIC VIEW

④

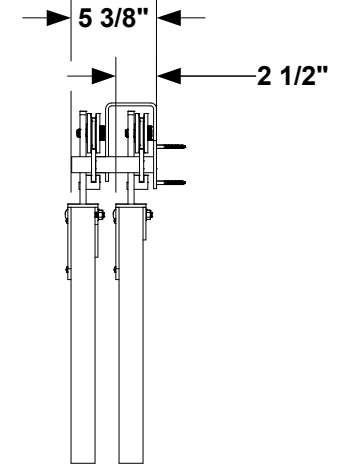


7 1/2" STANDARD HORSHOE  
WIDER 10 1/2" ALSO AVAILABLE

PLEASE PROVIDE

DOOR BEHIND

① FRONT VIEW



③ SIDE VIEW

NOTE: Items are hand made one at a time.  
There may be slight variations in measurement  
and tolerances when comparing to actual Cad  
drawing.

CONFIDENTIALITY STATEMENT. The information contained in this Drawing, including attachments, is confidential information property of Heritage Metalworks LLC., HMW Forge and Scofield lighting. The information is intended for use solely by the individual or entity named in the message and or email sent with. Any unauthorized review, printing, copying, reproduction or distribution of such information to other parties is prohibited. If you are not an intended recipient of this, please notify Heritage Metalworks LLC. by reply e-mail and delete from your system.



Heritage Metalworks LLC

HWIR615-OP2

BARN DOOR SLIDER DOUBLE OP2

DATE: 10/25/2024  
DATE REV:  
DRAWN BY: JTH  
FINALIZED BY: