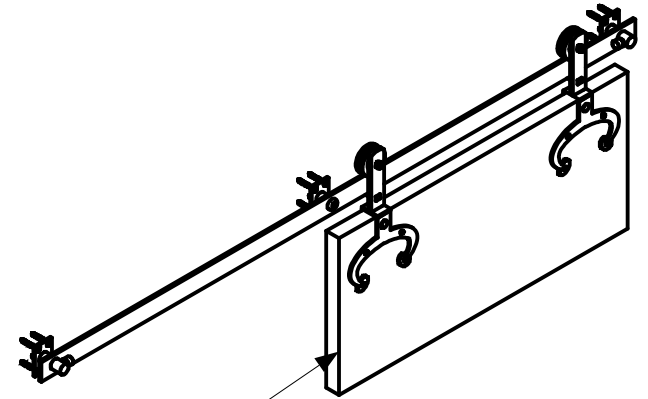


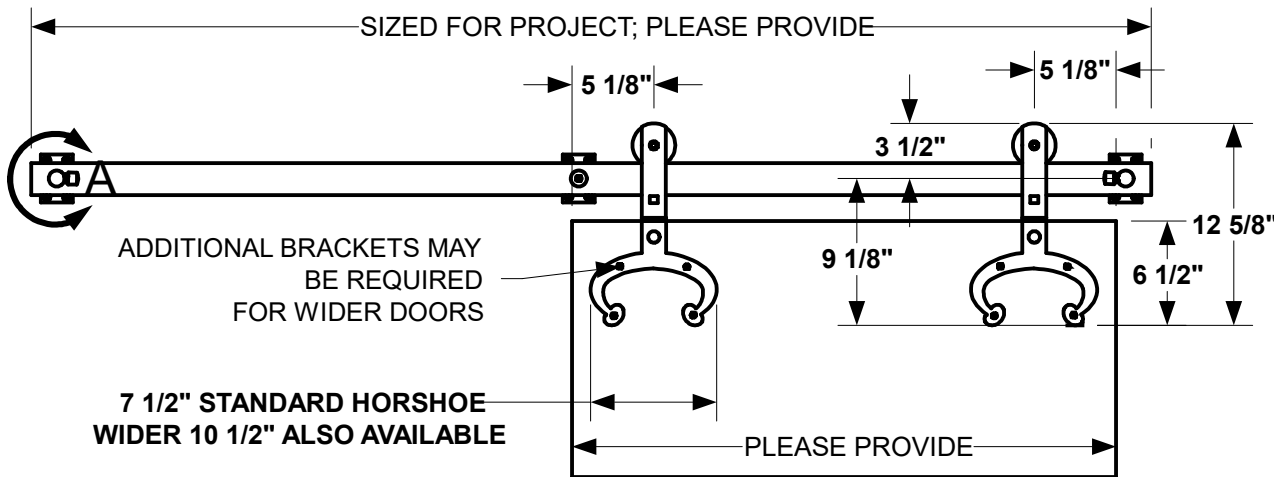
1 BRACKET SCREW SPACING



DOOR NOT INCLUDED

ISOMETRIC VIEW

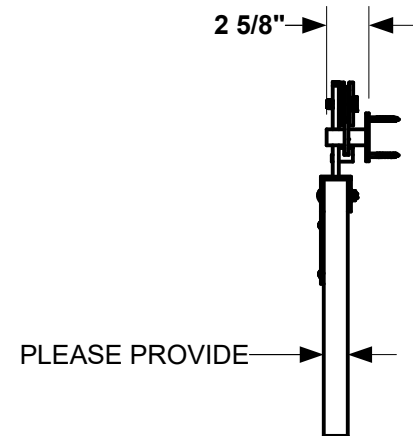
3



ADDITIONAL BRACKETS MAY BE REQUIRED FOR WIDER DOORS

7 1/2" STANDARD HORSHOE
WIDER 10 1/2" ALSO AVAILABLE

2 FRONT VIEW



4 RIGHT VIEW

NOTE: Items are hand made one at a time.
There may be slight variations in measurement and tolerances when comparing to actual Cad drawing.

CONFIDENTIALITY STATEMENT. The information contained in this Drawing, including attachments, is confidential information property of Heritage Metalworks LLC., HMW Forge and Scofield lighting. The information is intended for use solely by the individual or entity named in the message and or email sent with. Any unauthorized review, printing, copying, reproduction or distribution of such information to other parties is prohibited. If you are not an intended recipient of this, please notify Heritage Metalworks LLC. by reply e-mail and delete from your system.



Heritage Metalworks LLC

HWIR614

SINGLE BARN DOOR SLIDER

DATE: 10/25/2024
DATE REV:
DRAWN BY: JTH
FINALIZED BY: