



HWIR525

Iron "T" Sash Lock

1-7/8" x 2-5/8" x 3/4"

Forged iron "T" sash lock.



Shown with a dark wax and polished brass finish.

SPECIFICATIONS

Finishes:

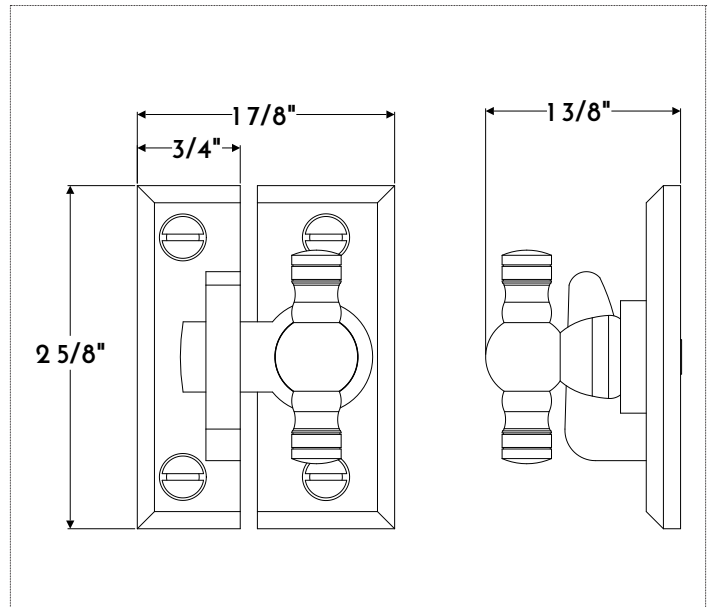
- DWIR, BLIR, RUIR, NAIR, BLAQ

Standard Components:

- Casement Latch with Brass T-Turn
- Keeper
- (4) Screws

Additional Product Information:

- Drawings, Installation Instructions, and Hardware Spec Order Form available upon request.
- Keeper and Latch are Flush on same plane.



Items are handmade. Slight variations in size may occur.

FINISHES	BRASS	IRON	NICKEL
	DABS Dark Antiqued*	BLIR Satin Black Exterior	PONI Polished
	LABS Light Antiqued*	DWIR Dark Wax*	BRNI Brushed
	PUBS Polished Unlacquered	NAIR Natural	AQNI Antiqued Polished
	PLBS Polished Lacquered	RUIR Rustic	
	BRBS Brushed*	BLAQ Black Lacquer	
	BZBS Bronzed*		

*Clear coat finish available