



# HWIR632

Cabinet Spade Strap Hinge

14-1/4" x 3/4"

Pair of 14-1/4" forged iron spade tip strap hinges.



Shown as right hand with dark wax iron finish.

## SPECIFICATIONS

### Finishes:

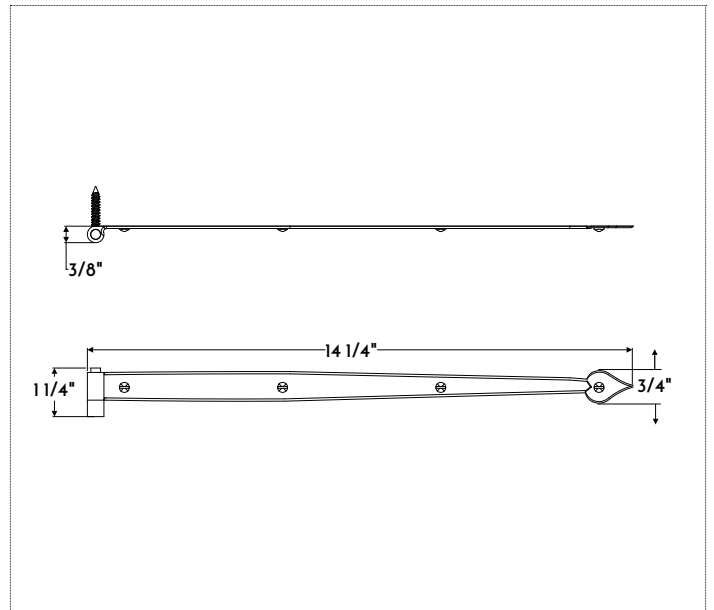
- DWIR, BLIR, RUIR, NAIR, BLAQ

### Standard Components:

- Pair Cabinet Spade Strap Hinges
- Pair Lag Pintles
- (8) Screws

### Additional Product Information:

- Drawings, Installation Instructions, and Hardware Spec Order Form available upon request.



Items are handmade. Slight variations in size may occur.

FINISHES	BRASS	IRON	NICKEL
	DABS Dark Antiqued*	BLIR Satin Black Exterior	PONI Polished
	LABS Light Antiqued*	DWIR Dark Wax*	BRNI Brushed
	PUBS Polished Unlacquered	NAIR Natural	AQNI Antiqued Polished
	PLBS Polished Lacquered	RUIR Rustic	
	BRBS Brushed*	BLAQ Black Lacquer	
	BZBS Bronzed*		

\*Clear coat finish available