



HWIR465

Okie Style Clover Hinge

2-3/8" x 3-5/8", 1-3/4" Flag

Pair of forged iron okie style clover rattail cabinet hinges.



Shown as right hand with dark wax iron finish.

SPECIFICATIONS

Finishes:

- DWIR, BLIR, RUIR, NAIR, BLAQ

Standard Components:

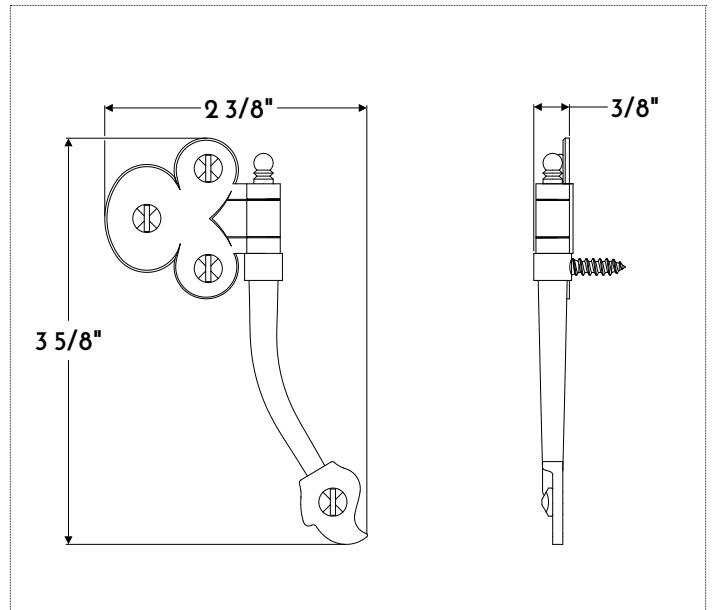
- Pair Clover Rattail Flag Hinges
- Pair Rattail Pintles
- (8) Screws
- Eye-Screw Retainer

Alternate Components:

- Snipe

Additional Product Information:

- Drawings, Installation Instructions, and Hardware Spec Order Form available upon request.



Items are handmade. Slight variations in size may occur.

FINISHES	BRASS	IRON	NICKEL
	DABS Dark Antiqued*	BLIR Satin Black Exterior	PONI Polished
	LABS Light Antiqued*	DWIR Dark Wax*	BRNI Brushed
	PUBS Polished Unlacquered	NAIR Natural	AQNI Antiqued Polished
	PLBS Polished Lacquered	RUIR Rustic	
	BRBS Brushed*	BLAQ Black Lacquer	
	BZBS Bronzed*		

*Clear coat finish available