

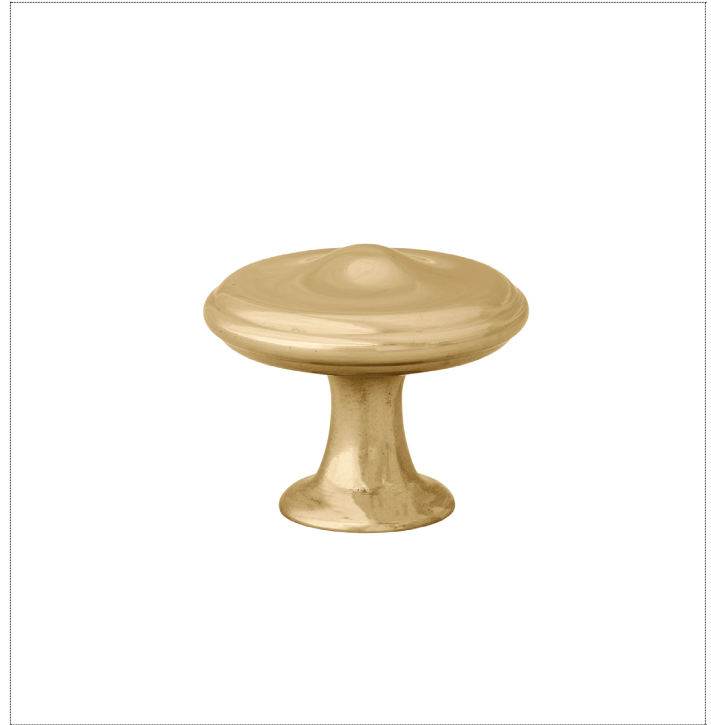


HWBS303

Brass Cabinet Knob, Detailed

1-1/4" x 1-1/8"

Solid brass detailed cabinet knob.



Shown with a polished brass finish.

SPECIFICATIONS

Finishes:

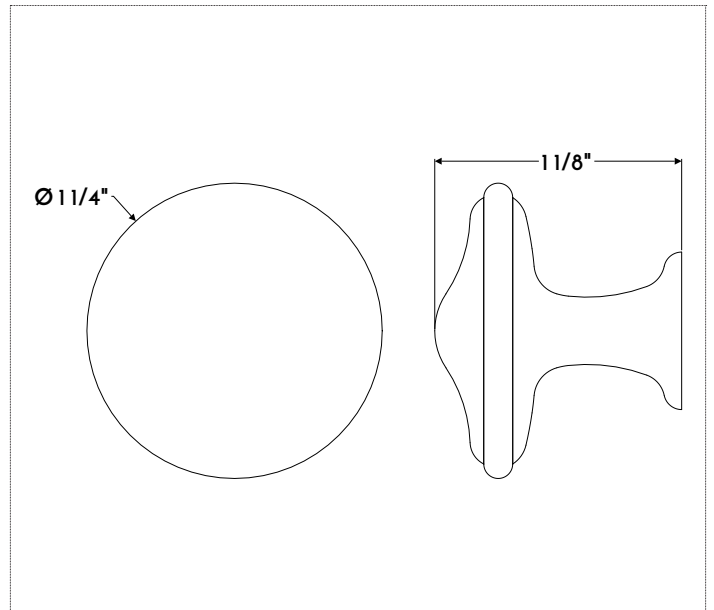
- DABS, LABS, PUBS, PLBS, BRBS
- PONI, BRNI, AQNI

Standard Components:

- Brass Knob
- 1-1/4" Machine Screw

Additional Product Information:

- Drawings, Installation Instructions, and Hardware Spec Order Form available upon request.
- Specify Cabinet Thickness if over 1"



Items are handmade. Slight variations in size may occur.

FINISHES	BRASS	IRON	NICKEL
	DABS Dark Antiqued*	BLIR Satin Black Exterior	PONI Polished
	LABS Light Antiqued*	DWIR Dark Wax*	BRNI Brushed
	PUBS Polished Unlacquered	NAIR Natural	AQNI Antiqued Polished
	PLBS Polished Lacquered	RUIR Rustic	
	BRBS Brushed*	BLAQ Black Lacquer	
	BZBS Bronzed*		

*Clear coat finish available