



Mystic Hanging Lantern

This elegant, architectural fixture, adapted from the Classic Lantern, reveals distinct visual accents, surrounded by four glass panes, a slanted shade, and a unique vented chimney cap with decorative punchwork.



Shown in medium with a brushed bronzed copper finish.

SPECIFICATIONS

- All sizes UL listed for Wet location
- Includes 5" canopy and 36" chain
- 4" octagonal junction box

Small

- 10" w x 14" h
- One Lamp
- 100-watt max (E26) socket

Large

- 20.25" w x 27.625" h
- Three Lamp
- 60-watt max**
candelabra (E12) socket

Finishes

- NACP, BZCP, OXCP, BRCP
- BLAQ, BZAO

Other Options

- Plain, Seeded, Frosted, Opal, or Restoration Glass
- Custom materials and finishes available upon request

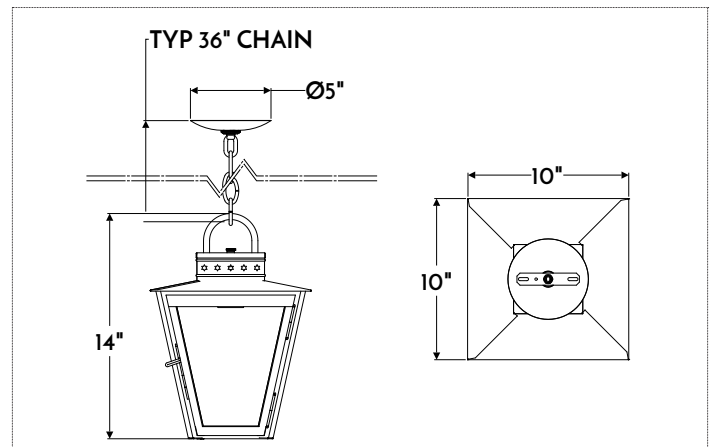
**Filament LED (2-6 watt) bulbs strongly recommended with optional wax sleeves

Medium

- 14" w x 19.75" h
- Three Lamp
- 60-watt max**
candelabra (E12) socket

Materials

- Copper



Shown with small dimensions

FINISHES	COPPER PATINA	COPPER LACQUER	TIN
	NACP Natural	BLAQ Black	AGTN Aged
	BZCP Bronzed	BZAO Bronze	BLAQ Black Lacquer
	OXCP Oxidized		
	BRCP Brushed		

