



Greenwich Flush Mount

This artistic adaptation of the Square Flush Mount is handcrafted with geometric winged walls, decorated with gilded solid brass spheres. As an added feature, subtle fretwork is overlaid to the base, elevating the design.



Shown in large with a black lacquer finish and yellow gold leaf.

SPECIFICATIONS

- All sizes UL listed for Dry location (may comply with Damp location when surface mounted to covered ceiling away from rain or sprinklers)
- 40-watt max (E26) socket
- 4" octagonal junction box

Small

- 13.25" w x 5" h
- Two Lamp

Large

- 15.5" w x 5.5" h
- Two Lamp

Materials

- Copper

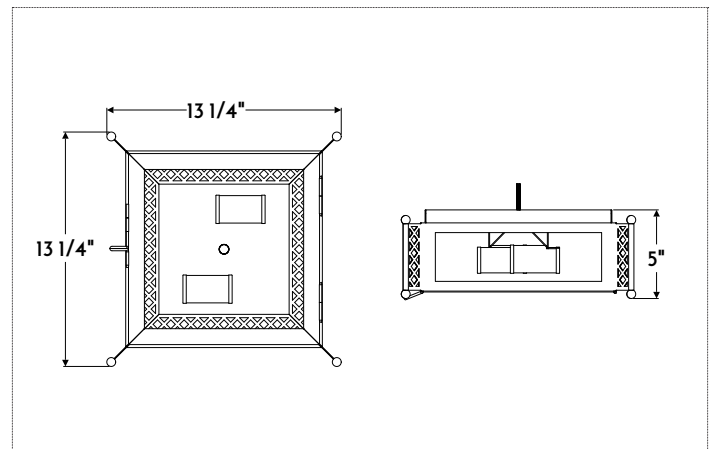
Finishes

- NACP, BZCP, OXCP, BRCP
- BLAQ, BZAO
- Gilded *

Other Options

- Available with or without Yellow or White Gold Leaf
- Plain, Seeded, Frosted, Opal, or Restoration Glass
- Custom materials and finishes available upon request

*Interior use only



Shown with small dimensions

FINISHES	COPPER PATINA	COPPER LACQUER	TIN
	NACP Natural	BLAQ Black	AGTN Aged
	BZCP Bronzed	BZAO Bronze	BLAQ Black Lacquer
	OXCP Oxidized		
	BRCP Brushed		

