



Stamford Flush Mount

This fully enclosed octagonal ceiling light is an adaptation of the perfectly symmetrical Square and Rectangular Flush Mounts, made with asymmetric framed windows, balanced beautifully with solid brass spheres.



Shown in large with a bronzed copper finish and frosted glass.

SPECIFICATIONS

- All sizes UL listed for Dry location (may comply with Damp location when surface mounted to covered ceiling away from rain or sprinklers)
- 40-watt max (E26) socket
- 4" octagonal junction box

Small

- 11" w x 4.75" h
- Two Lamp

Large

- 13" w x 5" h
- Two Lamp

Materials

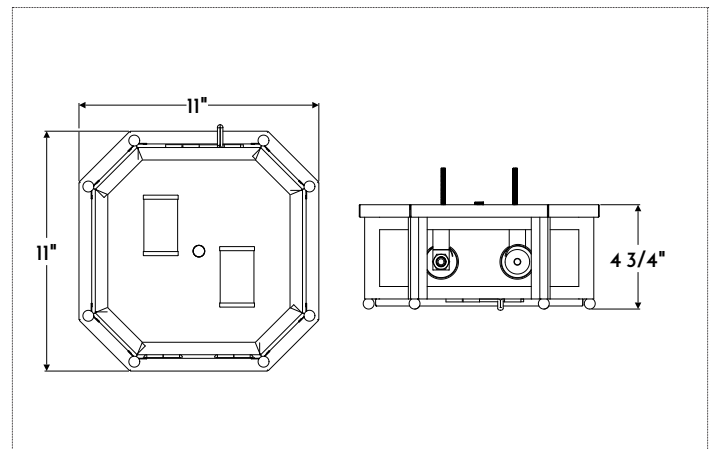
- Copper

Finishes

- NACP, BZCP, OXCP, BRCP
- BLAQ, BZAO

Other Options

- Plain, Seeded, Frosted, Opal, or Restoration Glass
- Custom materials and finishes available upon request



Shown with small dimensions

FINISHES	COPPER PATINA	COPPER LACQUER	TIN
	NACP Natural	BLAQ Black	AGTN Aged
	BZCP Bronzed	BZAO Bronze	BLAQ Black Lacquer
	OXCP Oxidized		
	BRCP Brushed		

