

Heritage

TRADITIONS LIGHTING

Panache Sconce

This meticulously handcrafted sconce is made from formed hollow arms, turned cups and bobeches. To complete the look, hand-cut glass is fitted over a brass backplate.



Shown with a brushed, dark antiqued brass finish.

SPECIFICATIONS

- UL listed for Dry location (may comply with Damp location when surface mounted to covered ceiling away from rain or sprinklers)
- 2" x 4" junction box

One Size

- 9" w x 6" d x 5" h
- Two Lamp
- 60-watt max* candelabra (E12) socket

Materials

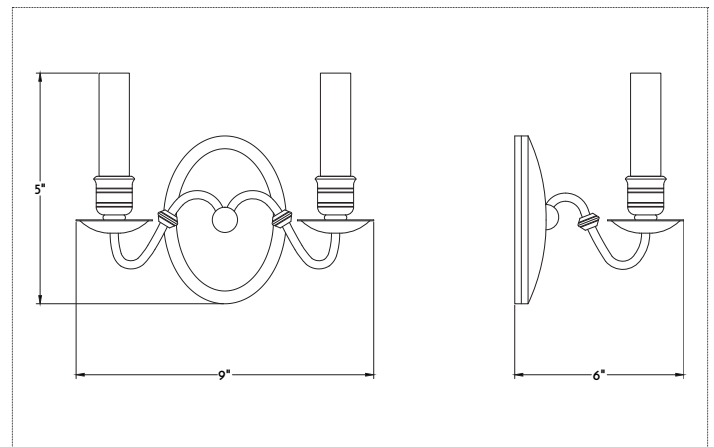
- Brass
- Glass

Finishes

- DABS, LABS, PUBS, PLBS, BRBS, OXBS, BZBS
- PONI, BRNI, AQNI

Other Options

- Plating in Nickel, Copper, Silver or Gold
- Custom materials and finishes available upon request



STANDARD FINISHES	BRASS		IRON		COPPER	
	DABS	Dark Antiqued*	BLIR	Satin Black, Exterior	NACP	Natural*
	LABS	Light Antiqued*	BLAQ	Black Lacquer, Interior	BZCP	Bronzed*
	PUBS	Polished Unlacquered	DWIR	Dark Wax	OXCP	Oxidized
PLBS	Polished Lacquered	NAIR	Natural*	LDCC	Leaded	
BRBS	Brushed*	RUIR	Rustic			
BZBS	Bronzed*					
OXBS	Oxidized					
	NICKEL		TIN			
PONI	Polished	AGTN	Aged			*Clear coat finish available
BRNI	Brushed	NATN	Natural*			
AQNI	Antiqued Polished	BRTN	Brushed*			

*Filament LED (2-6 watt) bulbs strongly recommended with optional wax sleeves.

