

# Heritage

TRADITIONS LIGHTING

## Lilliputian Sconce

Lost-wax casting brings out the high detail and delicate style of this entirely hand-cast sconce, using a two-part, split-seam arm and a finely ornate backplate.



Shown with a light antiqued silver finish.

### SPECIFICATIONS

- UL listed for Dry location (may comply with Damp location when surface mounted to covered ceiling away from rain or sprinklers)
- 2" x 4" round junction box

#### One Size

- 4" w x 6.75" d x 8" h
- One Lamp
- 60-watt max\* candelabra (E12) socket

#### Materials

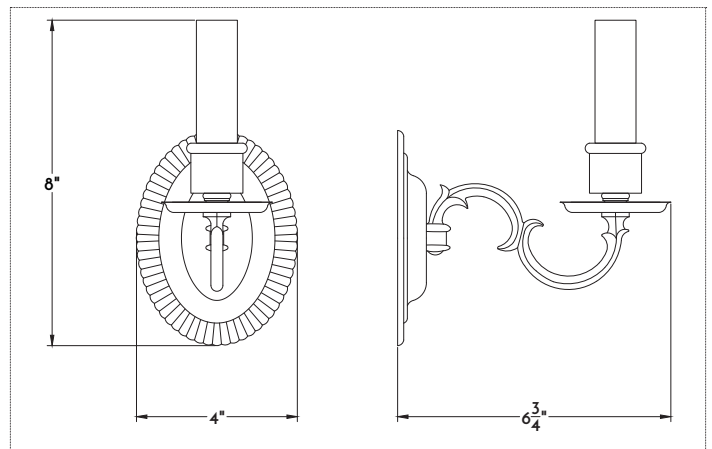
- Brass

#### Finishes

- DABS, LABS, PUBS, PLBS, BRBS, OXBS, BZBS
- PONI, BRNI, AQNI

#### Other Options

- Plating in Nickel, Copper, Silver or Gold
- Custom materials and finishes available upon request



STANDARD FINISHES	BRASS	IRON	COPPER
	DABS Dark Antiqued* LABS Light Antiqued* PUBS Polished Unlacquered PLBS Polished Lacquered BRBS Brushed* BZBS Bronzed* OXBS Oxidized	BLIR Satin Black, Exterior BLAQ Black Lacquer, Interior DWIR Dark Wax NAIR Natural* RUIR Rustic	NACP Natural* BZCP Bronzed* OXCP Oxidized LDCC Leaded
	NICKEL	TIN	
	PONI Polished BRNI Brushed AQNI Antiqued Polished	AGTN Aged NATN Natural* BRTN Brushed*	*Clear coat finish available

\*Filament LED (2-6 watt) bulbs strongly recommended with optional wax sleeves.

