

Heritage

TRADITIONS LIGHTING

Centrality Double Arm Sconce

This double arm sconce is handcrafted with fine quality featuring formed extruded hollow brass arms, turned brass transitional details and a cast backplate.



Shown with a dark antiqued brass finish.

SPECIFICATIONS

- UL listed for Dry location (may comply with Damp location when surface mounted to covered ceiling away from rain or sprinklers)
- 4" round junction box

One Size

- 12" w x 5.25" d x 11.5" h
- Two Lamp
- 60-watt max* candelabra (E12) socket

Materials

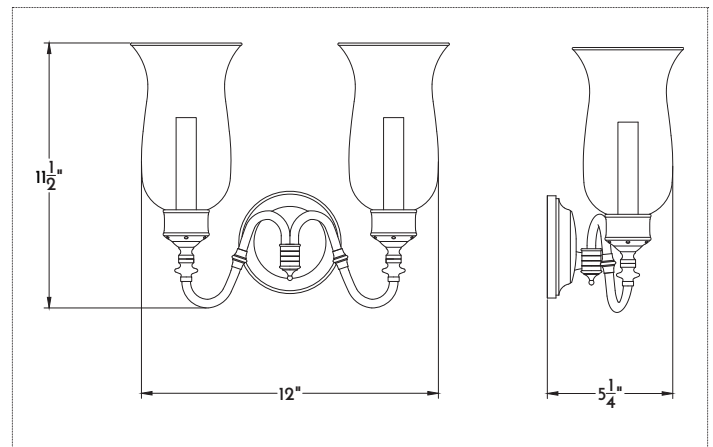
- Brass

Finishes

- DABS, LABS, PUBS, PLBS, BRBS, OXBS, BZBS
- PONI, BRNI, AQNI

Other Options

- Plating in Nickel, Copper, Silver or Gold
- Custom materials and finishes available upon request



STANDARD FINISHES	BRASS	IRON	COPPER
	DABS Dark Antiqued*	BLIR Satin Black, Exterior	NACP Natural*
	LABS Light Antiqued*	BLAQ Black Lacquer, Interior	BZCP Bronzed*
	PUBS Polished Unlacquered	DWIR Dark Wax	OXCP Oxidized
PLBS Polished Lacquered	NAIR Natural*	LDCP Leaded	
BRBS Brushed*	RUIR Rustic		
BZBS Bronzed*			
OXBS Oxidized			
	NICKEL	TIN	
	PONI Polished	AGTN Aged	*Clear coat finish available
	BRNI Brushed	NATN Natural*	
	AQNI Antiqued Polished	BRTN Brushed*	

*Filament LED (2-6 watt) bulbs strongly recommended with optional wax sleeves.

