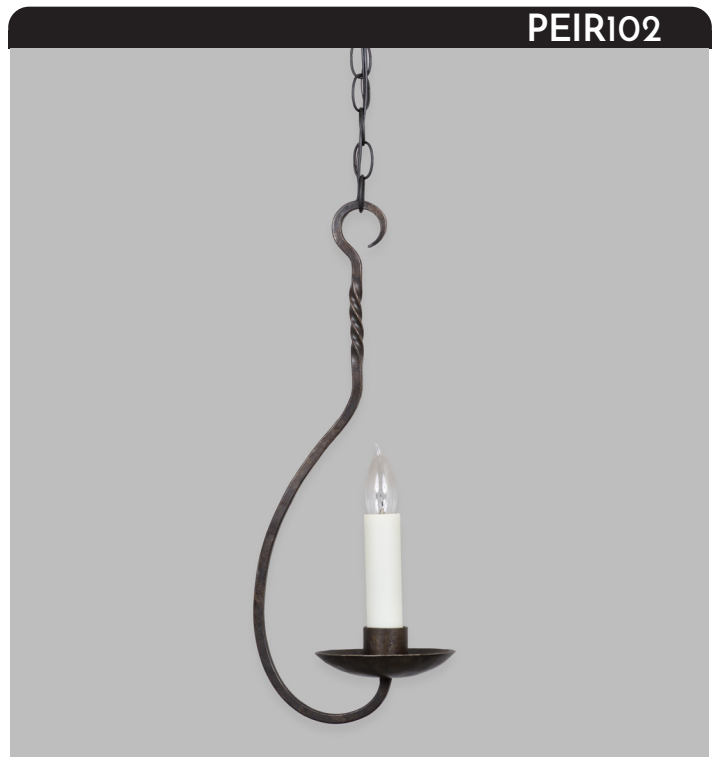


Heritage

TRADITIONS LIGHTING

Involution Pendant

While deceptively simple in appearance, this forged pendant features ornate twists and curves that mask the wire way. The bobèche and candle cup are also hand-hammered with precise detail.



Shown with a dark wax iron finish.

SPECIFICATIONS

- UL listed for Dry location (may comply with Damp location when surface mounted to covered ceiling away from rain or sprinklers)
- Includes 5-7/8" ceiling canopy and 36" chain
- 4" octagonal junction box

One Size

- 5" w x 7.5" d x 20" h
- One Lamp
- 100-watt max (E26) socket

Materials

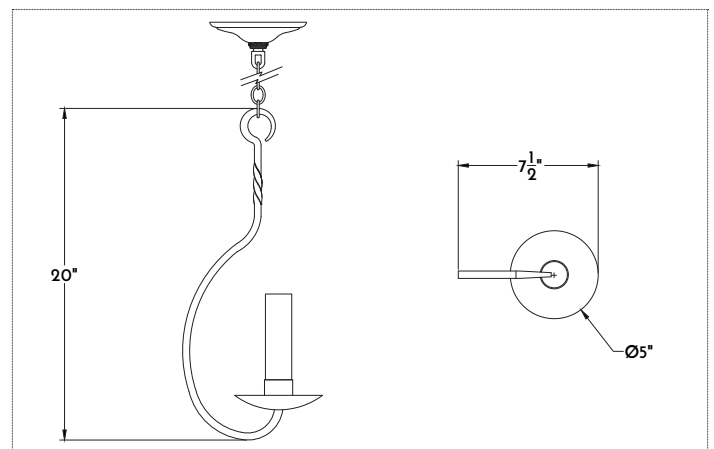
- Iron

Finishes

- BLIR, BLAQ, DWIR, NAIR, RUIR

Other Options

- Custom materials and finishes available upon request



STANDARD FINISHES	BRASS	IRON	COPPER
	DABS Dark Antiqued* LABS Light Antiqued* PUBS Polished Unlacquered PLBS Polished Lacquered BRBS Brushed* BZBS Bronzed* OXBS Oxidized	BLIR Satin Black, Exterior BLAQ Black Lacquer, Interior DWIR Dark Wax NAIR Natural* RUIR Rustic	NACP Natural* BZCP Bronzed* OXCP Oxidized LDCC Leaded
	NICKEL	TIN	
	PONI Polished BRNI Brushed AQNI Antiqued Polished	AGTN Aged NATN Natural* BRTN Brushed*	*Clear coat finish available

*Filament LED (2-6 watt) bulbs strongly recommended with optional wax sleeves.

