

Heritage

TRADITIONS LIGHTING

Confluence Pendant

Suspended from a custom brass chain, this two lamp pendant combines hand-blown opal glass with cast brass details.



Shown with a bronzed brass finish.

SPECIFICATIONS

- UL listed for Dry location (may comply with Damp location when surface mounted to covered ceiling away from rain or sprinklers)
- Includes 5-7/8" ceiling canopy
- 4" octagonal junction box

One Size

- 12" w x 14" h
- Two Lamp
- 100 watt max (E26) socket

Materials

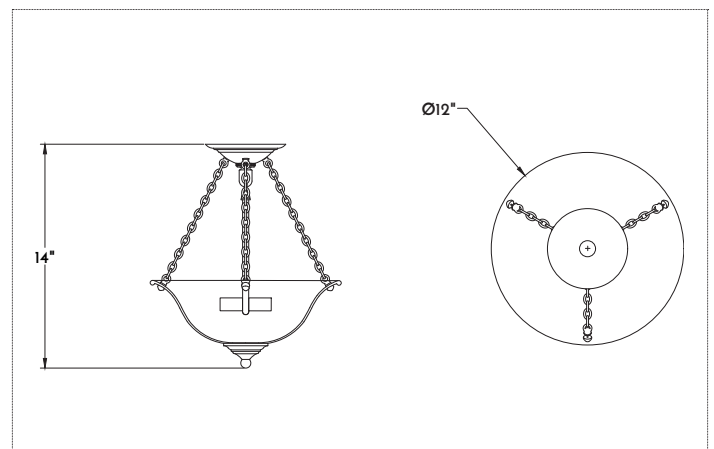
- Brass
- Hand-blown Opal Glass

Finishes

- DABS, LABS, PUBS, PLBS, BRBS, OXBS, BZBS
- PONI, BRNI, AQNI

Other Options

- Plating in Copper, Silver or Gold
- Hand-blown White or Opal Glass
- Custom materials and finishes available upon request



STANDARD FINISHES	BRASS		IRON		COPPER	
	DABS	Dark Antiqued*	BLIR	Satin Black, Exterior	NACP	Natural*
	LABS	Light Antiqued*	BLAQ	Black Lacquer, Interior	BZCP	Bronzed*
	PUBS	Polished Unlacquered	DWIR	Dark Wax	OXCP	Oxidized
PLBS	Polished Lacquered	NAIR	Natural*	LDPC	Leaded	
BRBS	Brushed*	RUIR	Rustic			
BZBS	Bronzed*					
OXBS	Oxidized					
	NICKEL		TIN			
PONI	Polished	AGTN	Aged			*Clear coat finish available
BRNI	Brushed	NATN	Natural*			
AQNI	Antiqued Polished	BRTN	Brushed*			

