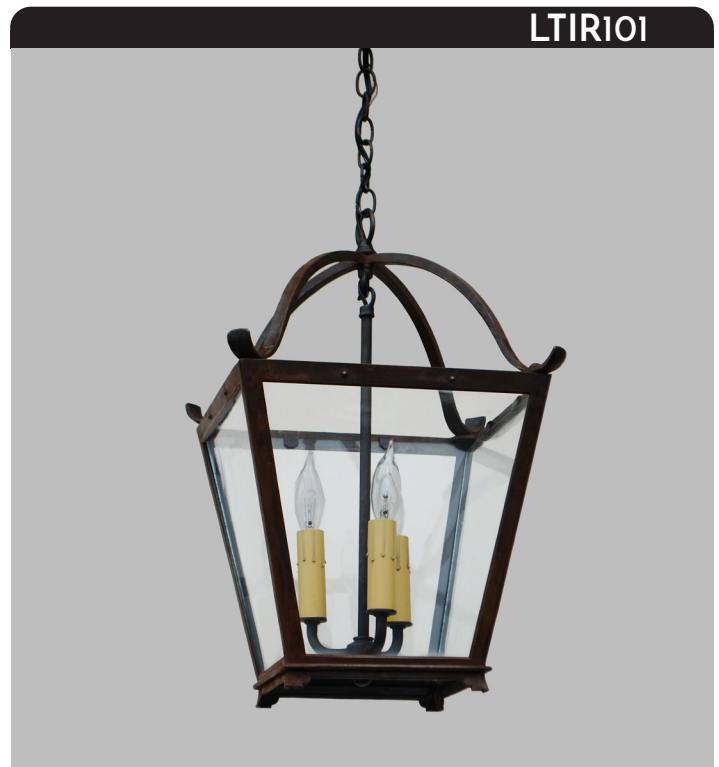


Heritage

TRADITIONS LIGHTING

Illumine Hanging Lantern

This unique lantern is fabricated with a hand forged iron frame and a three lamp candelabra enclosed with antique restoration glass.



Shown with a rustic iron finish.

SPECIFICATIONS

- UL listed for Dry location (may comply with Damp location when surface mounted to covered ceiling away from rain or sprinklers)
- Includes 5-7/8" ceiling canopy and 36" chain
- 4" octagonal junction box

One Size

- 10" w x 15" h
- Three Lamp
- 60-watt max* candelabra (E12) socket

Materials

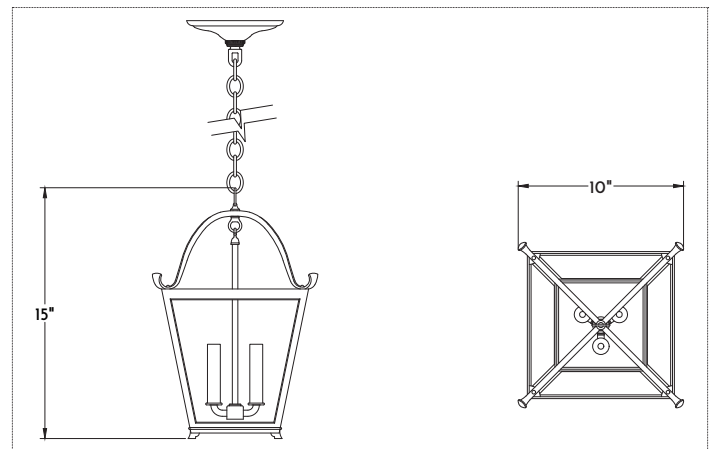
- Iron

Finishes

- BLIR, BLAQ, DWIR, NAIR, RUIR

Other Options

- Plain, Seeded, Frosted, Opal or Restoration Glass
- Custom materials and finishes available upon request



STANDARD FINISHES	BRASS	IRON	COPPER		
	DABS Dark Antiqued* LABS Light Antiqued* PUBS Polished Unlacquered PLBS Polished Lacquered BRBS Brushed* BZBS Bronzed* OXBS Oxidized	BLIR Satin Black, Exterior BLAQ Black Lacquer, Interior DWIR Dark Wax NAIR Natural* RUIR Rustic	NACP Natural* BZCP Bronzed* OXCP Oxidized LDCC Leaded		
<th>NICKEL</th> <td> PONI Polished BRNI Brushed AQNI Antiqued Polished </td> <td> <th>TIN</th> <td> AGTN Aged NATN Natural* BRTN Brushed* </td> </td>	NICKEL	PONI Polished BRNI Brushed AQNI Antiqued Polished	<th>TIN</th> <td> AGTN Aged NATN Natural* BRTN Brushed* </td>	TIN	AGTN Aged NATN Natural* BRTN Brushed*

*Clear coat finish available

*Filament LED (2-6 watt) bulbs strongly recommended with optional wax sleeves.

