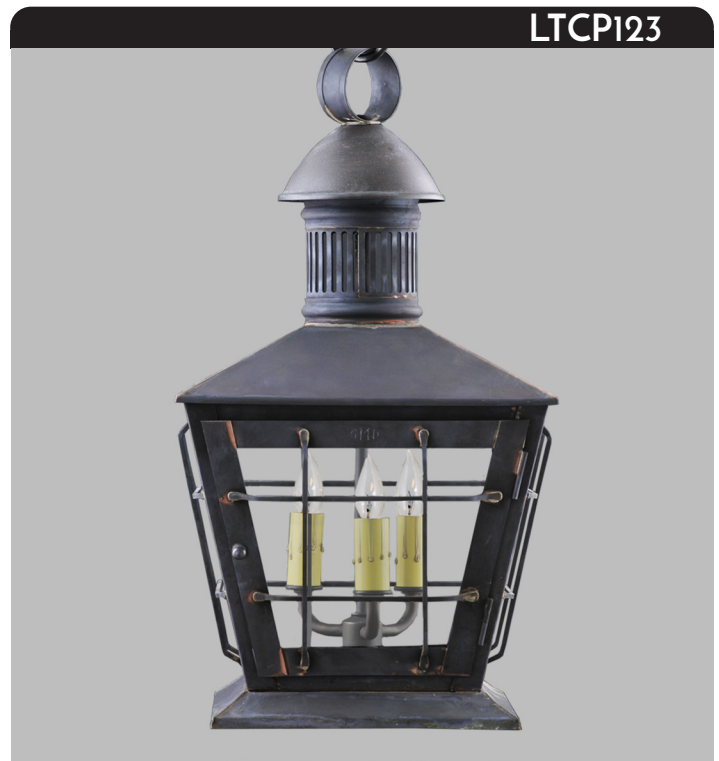


Heritage

TRADITIONS LIGHTING

Haverford Hanging Lantern

The style and structure of this New England coast inspired fixture is not only beautiful, it's largely functional. The wire cages protect glass from windborn objects, the bottom midgates wind swing and the tall stack provides better updraft for more airflow and candle lumen output.



Shown with a bronzed copper finish.

SPECIFICATIONS

- UL listed for Dry location (may comply with Damp location when surface mounted to covered ceiling away from rain or sprinklers)
- Includes 5-7/8" ceiling canopy and 36" chain
- 4" octagonal junction box

One Size

- 10" w x 18" h
- Three Lamp
- 60-watt max* candelabra (E12) socket

Materials

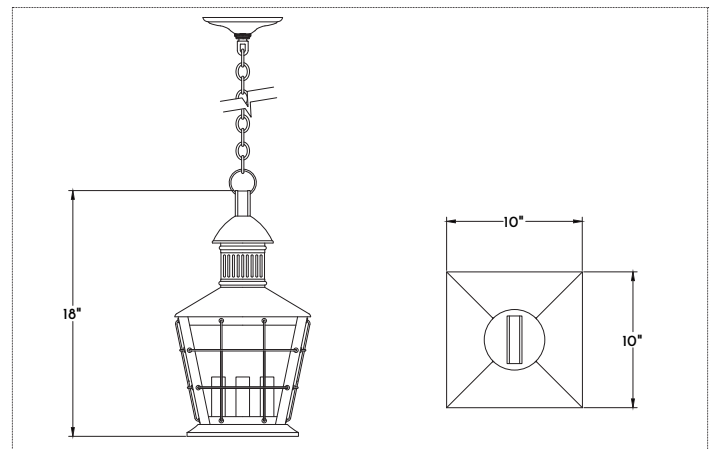
- Copper

Finishes

- NACP, BZCP, OXCP, LDCC
- BLAQ

Other Options

- Plating in Nickel, Silver or Gold
- Plain, Seeded, Frosted, Opal or Restoration Glass
- Custom materials and finishes available upon request



STANDARD FINISHES	BRASS	IRON	COPPER
	DABS Dark Antiqued* LABS Light Antiqued* PUBS Polished Unlacquered PLBS Polished Lacquered BRBS Brushed* BZBS Bronzed* OXBS Oxidized	BLIR Satin Black, Exterior BLAQ Black Lacquer, Interior DWIR Dark Wax NAIR Natural* RUIR Rustic	NACP Natural* BZCP Bronzed* OXCP Oxidized LDCC Leaded
	NICKEL	TIN	
	PONI Polished BRNI Brushed AQNI Antiqued Polished	AGTN Aged NATN Natural* BRTN Brushed*	*Clear coat finish available

*Filament LED (2-6 watt) bulbs strongly recommended with optional wax sleeves.

