

Heritage

TRADITIONS LIGHTING

August Wall Lantern

This bracketed Tudor style copper wall lantern offers greater lumen output than its low profile sibling.



Shown with a bronzed copper finish.

SPECIFICATIONS

- All sizes UL listed for Wet location
- 2" x 4" junction box

Small

- 9.5" w x 11" d x 18.5" h
- One Lamp
- 60-watt max* candelabra (E12) socket or 100-watt max (E26) socket

Large

- 12" w x 13.125" d x 23.5" h
- Three Lamp
- 60-watt max* candelabra (E12) socket

Materials

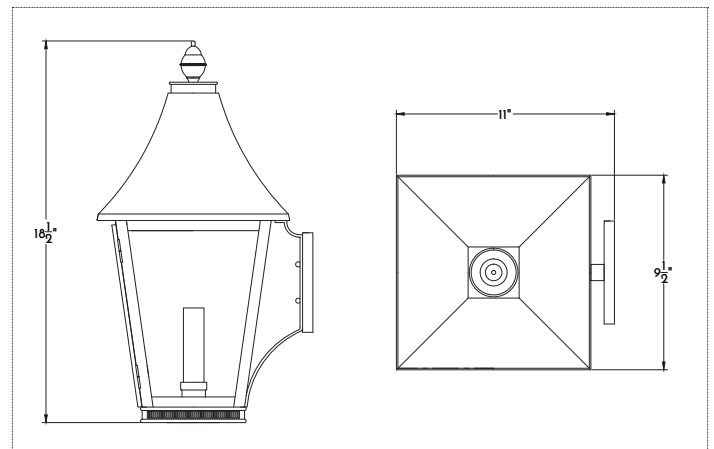
- Copper

Finishes

- NACP, BZCP, OXCP, LDCP
- BLAQ

Other Options

- Plating in Nickel, Silver or Gold
- Plain, Seeded, Frosted, Opal or Restoration Glass
- Custom materials and finishes available upon request



Shown with small dimensions.

STANDARD FINISHES	BRASS	IRON	COPPER
	DABS Dark Antiqued* LABS Light Antiqued* PUBS Polished Unlacquered PLBS Polished Lacquered BRBS Brushed* BZBS Bronzed* OXBS Oxidized	BLIR Satin Black, Exterior BLAQ Black Lacquer, Interior DWIR Dark Wax NAIR Natural* RUIR Rustic	NACP Natural* BZCP Bronzed* OXCP Oxidized LDCP Leaded
	NICKEL	TIN	
	PONI Polished BRNI Brushed AQNI Antiqued Polished	AGTN Aged NATN Natural* BRTN Brushed*	*Clear coat finish available

*Filament LED (2-6 watt) bulbs strongly recommended with optional wax sleeves.

