

# Heritage

TRADITIONS LIGHTING

## August Flush Wall Lantern

This Tudor style copper wall lantern is ideal for low profile needs including as little as 4" deep - the maximum for ADA compliant installations.



Shown with a bronzed copper finish.

### SPECIFICATIONS

- All sizes UL listed for Wet location
- 60-watt max\* candelabra (E12) socket or 100-watt max (E26) socket
- 2" x 4" junction box

#### Small

- 9.5" w x 5.75" d x 18.5" h
- One Lamp

#### Large

- 12" w x 7.25" d x 23.5" h
- Two Lamp

#### Materials

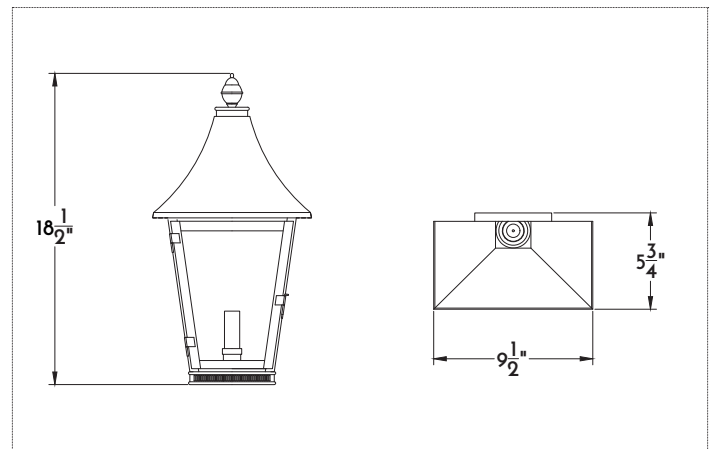
- Copper

#### Finishes

- NACP, BZCP, OXCP, LDCCP
- BLAQ

#### Other Options

- Plating in Nickel, Silver or Gold
- Plain, Seeded, Frosted, Opal or Restoration Glass
- Plain or Antiqued Mirror
- Custom materials and finishes available upon request



Shown with small dimensions.

STANDARD FINISHES	BRASS	IRON	COPPER
	<ul style="list-style-type: none"> <li>DABS Dark Antiqued*</li> <li>LABS Light Antiqued*</li> <li>PUBS Polished Unlacquered</li> <li>PLBS Polished Lacquered</li> <li>BRBS Brushed*</li> <li>BZBS Bronzed*</li> <li>OXBS Oxidized</li> </ul>	<ul style="list-style-type: none"> <li>BLIR Satin Black, Exterior</li> <li>BLAQ Black Lacquer, Interior</li> <li>DWIR Dark Wax</li> <li>NAIR Natural*</li> <li>RUIR Rustic</li> </ul>	<ul style="list-style-type: none"> <li>NACP Natural*</li> <li>BZCP Bronzed*</li> <li>OXCP Oxidized</li> <li>LDCCP Leaded</li> </ul>
	NICKEL	TIN	
	<ul style="list-style-type: none"> <li>PONI Polished</li> <li>BRNI Brushed</li> <li>AQNI Antiqued Polished</li> </ul>	<ul style="list-style-type: none"> <li>AGTN Aged</li> <li>NATN Natural*</li> <li>BRTN Brushed*</li> </ul>	*Clear coat finish available

\*Filament LED (2-6 watt) bulbs strongly recommended with optional wax sleeves.

