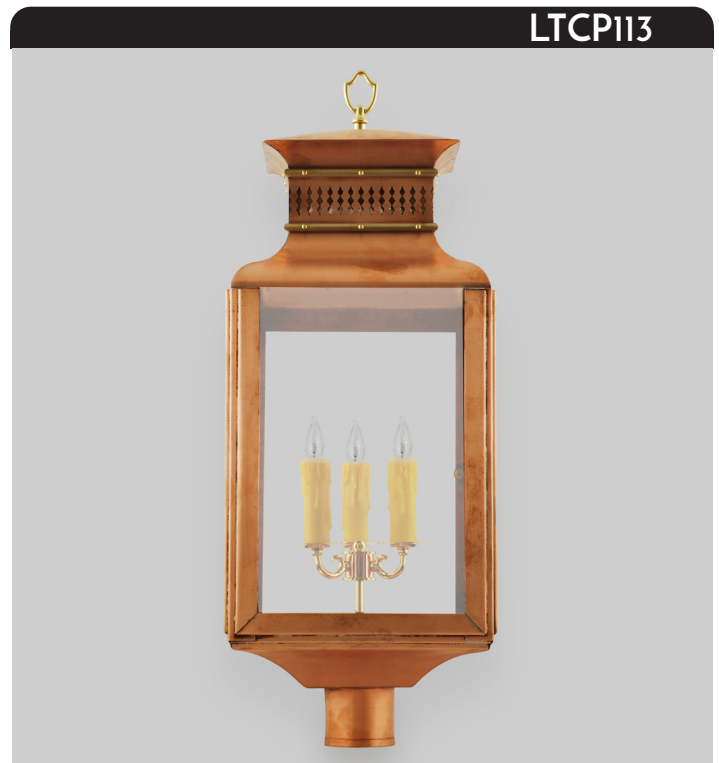


Heritage

TRADITIONS LIGHTING

Sublime Post Lantern

Hand-hammered from copper, this post lantern features cast brass arms surrounded by antique restoration glass, accompanied by a 3" post collar.



Shown with a natural copper finish.

SPECIFICATIONS

- All sizes UL listed for Wet location

Small

- 9.75" w x 24.5" h
- One Lamp
- 100-watt max (E26) socket

Large

- 12.5" w x 30" h
- Three Lamp
- 60-watt max* candelabra (E12) socket

Materials

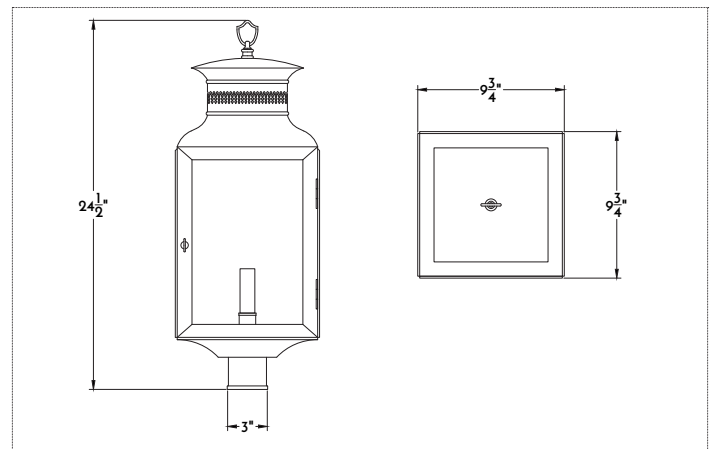
- Copper

Finishes

- NACP, BZCP, OXCP, LDCCP
- BLAQ

Other Options

- Plating in Nickel, Silver or Gold
- Plain, Seeded, Frosted, Opal or Restoration Glass
- Bronze or Iron Post Bracket
- Custom materials and finishes available upon request



Shown with small dimensions.

STANDARD FINISHES	BRASS	IRON	COPPER
	DABS Dark Antiqued* LABS Light Antiqued* PUBS Polished Unlacquered PLBS Polished Lacquered BRBS Brushed* BZBS Bronzed* OXBS Oxidized	BLIR Satin Black, Exterior BLAQ Black Lacquer, Interior DWIR Dark Wax NAIR Natural* RUIR Rustic	NACP Natural* BZCP Bronzed* OXCP Oxidized LDCCP Leaded
	NICKEL	TIN	
	PONI Polished BRNI Brushed AQNI Antiqued Polished	AGTN Aged NATN Natural* BRTN Brushed*	*Clear coat finish available

*Filament LED (2-6 watt) bulbs strongly recommended with optional wax sleeves.

