

Heritage

TRADITIONS LIGHTING

Radley Hanging Lantern

This handcrafted colonial style hanging lantern is an 18th century reproduction of an authentic Philadelphia copper fixture featuring unique strapping and detailed punchwork.



Shown with a bronzed copper finish.

SPECIFICATIONS

- All sizes UL listed for Dry location (may comply with Damp location when surface mounted to covered ceiling away from rain or sprinklers)
- 60-watt max* candelabra (E12) socket or 100-watt max (E26) socket
- Includes 5-7/8" ceiling canopy and 36" chain
- 4" octagonal junction box

Small

- 5.5" w x 17.5" h
- One Lamp

Large

- 6.5" w x 20.75" h
- One Lamp

Materials

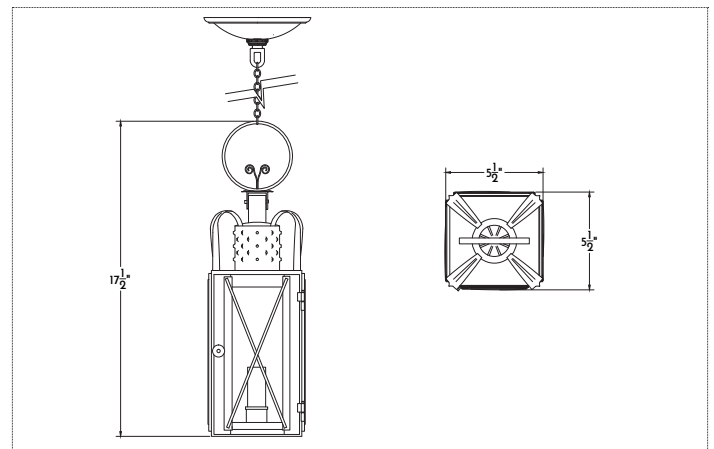
- Copper

Finishes

- NACP, BZCP, OXCP, LDCCP
- BLAQ

Other Options

- Plating in Copper, Silver or Gold
- Plain, Seeded, Frosted, Opal or Restoration Glass
- Custom materials and finishes available upon request



Shown with small dimensions.

STANDARD FINISHES	BRASS	IRON	COPPER
	DABS Dark Antiqued* LABS Light Antiqued* PUBS Polished Unlacquered PLBS Polished Lacquered BRBS Brushed* BZBS Bronzed* OXBS Oxidized	BLIR Satin Black, Exterior BLAQ Black Lacquer, Interior DWIR Dark Wax NAIR Natural* RUIR Rustic	NACP Natural* BZCP Bronzed* OXCP Oxidized LDCCP Leaded
	NICKEL	TIN	
	PONI Polished BRNI Brushed AQNI Antiqued Polished	AGTN Aged NATN Natural* BRTN Brushed*	*Clear coat finish available

*Filament LED (2-6 watt) bulbs strongly recommended with optional wax sleeves.

