

# Heritage

TRADITIONS LIGHTING

## Magniloquent Hanging Lantern

The fine details of this 100% handmade brass lantern come from lost-wax casting and is finished off by a custom chain and antique restoration glass.



Shown with a polished nickel finish.

### SPECIFICATIONS

- UL listed for Dry location (may comply with Damp location when surface mounted to covered ceiling away from rain or sprinklers)
- Includes 5-7/8" ceiling canopy and 36" chain
- 4" octagonal junction box

#### One Size

- 11.5" w x 24" h
- Three Lamp
- 60-watt max\* candelabra (E12) socket

#### Materials

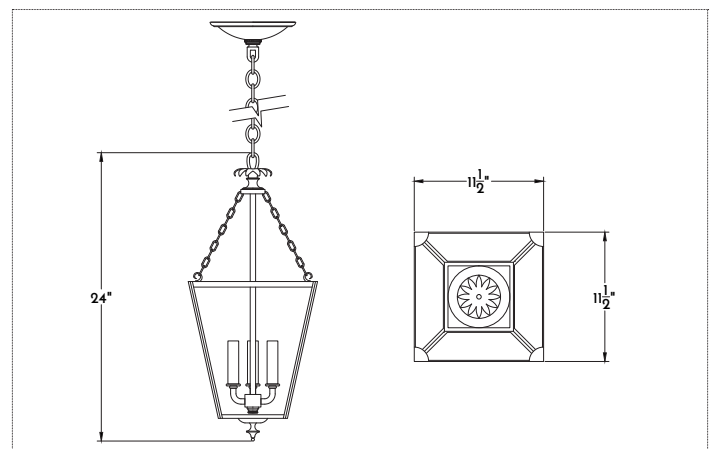
- Brass

#### Finishes

- DABS, LABS, PUBS, PLBS, BRBS, OXBS, BZBS
- PONI, BRNI, AQNI

#### Other Options

- Plating in Copper, Silver or Gold
- Plain, Seeded, Frosted, Opal or Restoration Glass
- Custom materials and finishes available upon request



STANDARD FINISHES	BRASS	IRON	COPPER
	DABS Dark Antiqued* LABS Light Antiqued* PUBS Polished Unlacquered PLBS Polished Lacquered BRBS Brushed* BZBS Bronzed* OXBS Oxidized	BLIR Satin Black, Exterior BLAQ Black Lacquer, Interior DWIR Dark Wax NAIR Natural* RUIR Rustic	NACP Natural* BZCP Bronzed* OXCP Oxidized LDCC Leaded
	NICKEL	TIN	
	PONI Polished BRNI Brushed AQNI Antiqued Polished	AGTN Aged NATN Natural* BRTN Brushed*	*Clear coat finish available

\*Filament LED (2-6 watt) bulbs strongly recommended with optional wax sleeves.

