

# Heritage

TRADITIONS LIGHTING

## Dorringer Flush Mount

A detailed cast brass canopy and finial highlight the fine workmanship of this flush mount fixture.



Shown with a polished nickel finish.

### SPECIFICATIONS

- UL listed for Dry location (may comply with Damp location when surface mounted to covered ceiling away from rain or sprinklers)
- 4" octagonal junction box

#### One Size

- 13" w x 11" h
- Two Lamp
- 100-watt max (E26) socket

#### Materials

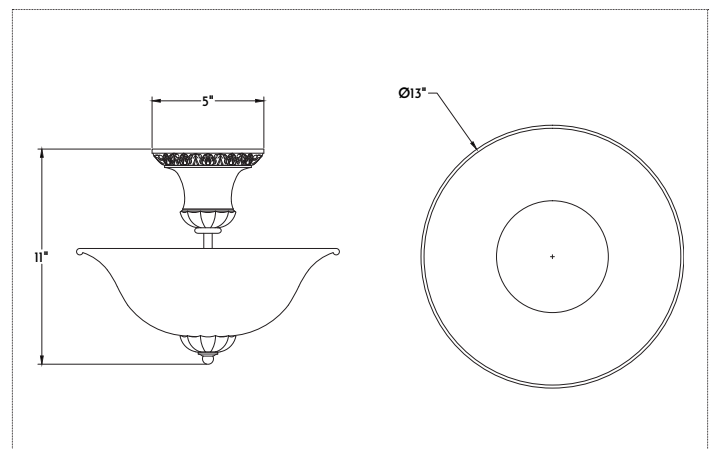
- Brass
- Hand-blown White Opal Glass

#### Finishes

- DABS, LABS, PUBS, PLBS, BRBS, OXBS, BZBS
- PONI, BRNI, AQNI

#### Other Options

- Plating in Copper, Silver or Gold
- Custom Colored Glass
- Custom materials and finishes available upon request



STANDARD FINISHES	BRASS	IRON	COPPER
	DABS Dark Antiqued*	BLIR Satin Black, Exterior	NACP Natural*
	LABS Light Antiqued*	BLAQ Black Lacquer, Interior	BZCP Bronzed*
	PUBS Polished Unlacquered	DWIR Dark Wax	OXCP Oxidized
PLBS Polished Lacquered	NAIR Natural*	LDCP Leaded	
BRBS Brushed*	RUIR Rustic		
BZBS Bronzed*			
OXBS Oxidized			
	NICKEL	TIN	
	PONI Polished	AGTN Aged	*Clear coat finish available
	BRNI Brushed	NATN Natural*	
	AQNI Antiqued Polished	BRTN Brushed*	

