

# Heritage

TRADITIONS LIGHTING

## Apotheose Chandelier

Suspended from a decorative chain, this hand forged iron chandelier boasts details with a pierced band.



Shown with a rustic iron finish.

### SPECIFICATIONS

- UL listed for Dry location (may comply with Damp location when surface mounted to covered ceiling away from rain or sprinklers)
- Includes 5-7/8" ceiling canopy and 36" chain
- 4" octagonal junction box

#### One Size

- 30" w x 25.25" h
- Eight Lamp
- 60-watt max\* candelabra (E12) socket

#### Materials

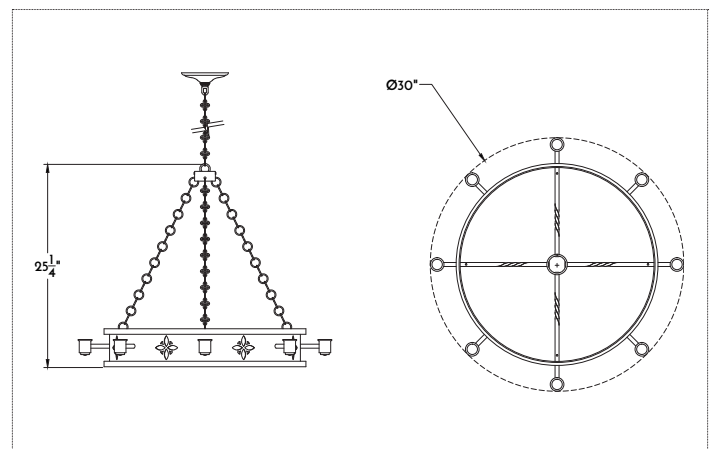
- Iron

#### Finishes

- BLIR, BLAQ, DWIR, NAIR, RUIR

#### Other Options

- Custom materials and finishes available upon request



STANDARD FINISHES	BRASS	IRON	COPPER
	DABS Dark Antiqued* LABS Light Antiqued* PUBS Polished Unlacquered PLBS Polished Lacquered BRBS Brushed* BZBS Bronzed* OXBS Oxidized	BLIR Satin Black, Exterior BLAQ Black Lacquer, Interior DWIR Dark Wax NAIR Natural* RUIR Rustic	NACP Natural* BZCP Bronzed* OXCP Oxidized LDCC Leaded
NICKEL PONI Polished BRNI Brushed AQNI Antiqued Polished	TIN AGTN Aged NATN Natural* BRTN Brushed*	*Clear coat finish available	

\*Filament LED (2-6 watt) bulbs strongly recommended with optional wax sleeves.

