

Heritage

TRADITIONS LIGHTING

Labyrinthine Chandelier

This handmade chandelier is an adaptation from a Winterthur design, featuring twisted double-tier bands of forged iron and a brass canopy ball.



Shown with a light antiqued brass & natural iron finish.

SPECIFICATIONS

- UL listed for Dry location (may comply with Damp location when surface mounted to covered ceiling away from rain or sprinklers)
- Includes 5-7/8" ceiling canopy and 36" chain
- 4" octagonal junction box

One Size

- 36" w x 42.5" h
- Twelve Lamp
- 100-watt max (E26) socket

Materials

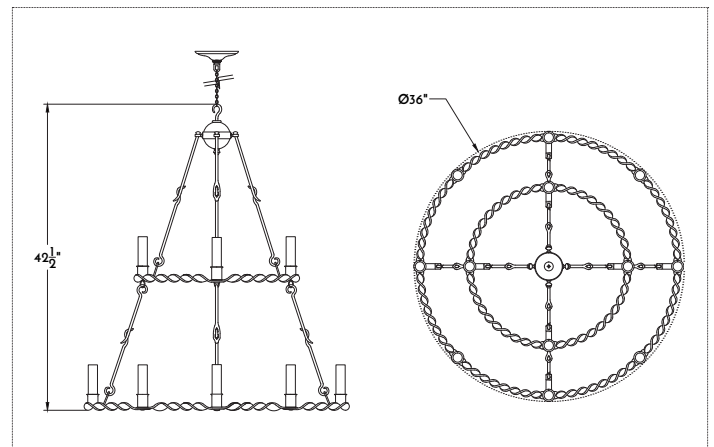
- Iron
- Brass

Finishes

- BLIR, BLAQ, DWIR, NAIR, RUIR
- DABS, LABS, PUBS, PLBS, BRBS, OXBS, BZBS
- PONI, BRNI, AQNI

Other Options

- Plating in Copper, Silver or Gold
- Custom materials and finishes available upon request



STANDARD FINISHES	BRASS		IRON		COPPER	
	DABS	Dark Antiqued*	BLIR	Satin Black, Exterior	NACP	Natural*
	LABS	Light Antiqued*	BLAQ	Black Lacquer, Interior	BZCP	Bronzed*
	PUBS	Polished Unlacquered	DWIR	Dark Wax	OXCP	Oxidized
	PLBS	Polished Lacquered	NAIR	Natural*	LDCP	Leaded
	BRBS	Brushed*	RUIR	Rustic		
	BZBS	Bronzed*				
	OXBS	Oxidized				
	NICKEL		TIN			
	PONI	Polished	AGTN	Aged		
	BRNI	Brushed	NATN	Natural*		
	AQNI	Antiqued Polished	BRTN	Brushed*		

*Clear coat finish available

*Filament LED (2-6 watt) bulbs strongly recommended with optional wax sleeves.
Due to authentic reproduction fixture construction, wires are discreetly attached to arm exterior.

