

Heritage

TRADITIONS LIGHTING

Pottery Room Chandelier

This 19th century antique reproduction chandelier consists of a circular, twisted iron loop supported by three chains hanging from a small brass ball. Adapted from the Pottery Room Chandelier of the Winterthur Collection.



Shown with a light antiqued brass & dark wax iron finish.

SPECIFICATIONS

- UL listed for Dry location (may comply with Damp location when surface mounted to covered ceiling away from rain or sprinklers)
- Includes 5-7/8" ceiling canopy and 36" chain
- 4" octagonal junction box

One Size

- 24" w x 26" h
- Six Lamp
- 60-watt max* candelabra (E12) socket

Materials

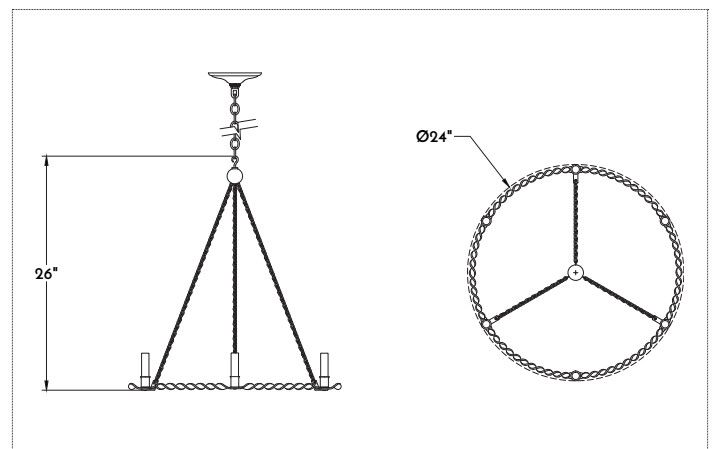
- Iron
- Brass

Finishes

- BLIR, BLAQ, DWIR, NAIR, RUIR
- DABS, LABS, PUBS, PLBS, BRBS, OXBS, BZBS
- PONI, BRNI, AQNI

Other Options

- Custom materials and finishes available upon request



STANDARD FINISHES	BRASS	IRON	COPPER
	DABS Dark Antiqued* LABS Light Antiqued* PUBS Polished Unlacquered PLBS Polished Lacquered BRBS Brushed* BZBS Bronzed* OXBS Oxidized	BLIR Satin Black, Exterior BLAQ Black Lacquer, Interior DWIR Dark Wax NAIR Natural* RUIR Rustic	NACP Natural* BZCP Bronzed* OXCP Oxidized LDCC Leaded
	NICKEL	TIN	
	PONI Polished BRNI Brushed AQNI Antiqued Polished	AGTN Aged NATN Natural* BRTN Brushed*	*Clear coat finish available

*Filament LED (2-6 watt) bulbs strongly recommended with optional wax sleeves.
 Due to authentic reproduction fixture construction, wires are discreetly attached to arm exterior.

