

Heritage

TRADITIONS LIGHTING

Cottage Hall Chandelier

This unique chandelier is a Winterthur reproduction featuring two octagonal, antiqued mirrored tiers that reflect a diffused glow of light cast by the eight curved arms.



Shown with a light antiqued brass finish.

SPECIFICATIONS

- UL listed for Dry location (may comply with Damp location when surface mounted to covered ceiling away from rain or sprinklers)
- Includes 5-7/8" ceiling canopy and 36" chain
- 4" octagonal junction box

One Size

- 24" w x 24" h
- Eight Lamp
- 60-watt max* candelabra (E12) socket

Materials

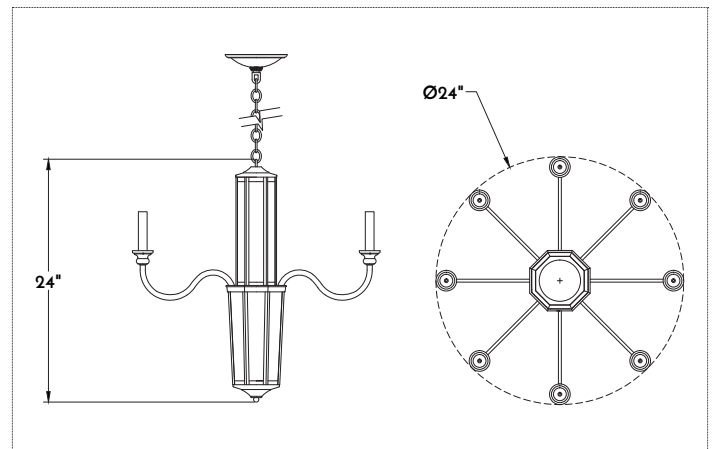
- Brass

Finishes

- DABS, LABS, PUBS, PLBS, BRBS, OXBS
- PONI, BRNI, AQNI

Other Options

- Plating in Copper, Silver or Gold
- Custom materials and finishes available upon request



STANDARD FINISHES	BRASS	IRON	COPPER
	DABS Dark Antiqued* LABS Light Antiqued* PUBS Polished Unlacquered PLBS Polished Lacquered BRBS Brushed* BZBS Bronzed* OXBS Oxidized	BLIR Satin Black, Exterior BLAQ Black Lacquer, Interior DWIR Dark Wax NAIR Natural* RUIR Rustic	NACP Natural* BZCP Bronzed* OXCP Oxidized LDCC Leaded
	NICKEL	TIN	
	PONI Polished BRNI Brushed AQNI Antiqued Polished	AGTN Aged NATN Natural* BRTN Brushed*	*Clear coat finish available

*Filament LED (2-6 watt) bulbs strongly recommended with optional wax sleeves.

