



# Maple Leaf Sconce

Modeled after the Canadian Maple Leaf, this sconce is the perfect melding of natural beauty and authentic American craftsmanship.



Shown with an aged tin finish.

## SPECIFICATIONS

- All sizes UL listed for Dry location (may comply with Damp location when surface mounted to covered ceiling away from rain or sprinklers)
- 60-watt max\*\* candelabra (E12) socket
- 2" x 4" junction box

### Small

- 3.25" w x 2.5" d x 11.5" h
- One Lamp

### Large

- 4.5" w x 3.25" d x 15.25" h
- One Lamp

### Materials

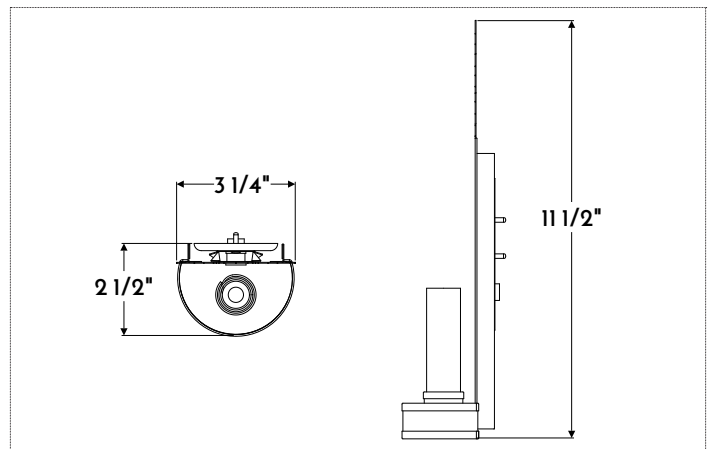
- Tin\*

### Finishes

- AGTN\*

### Other Options

- Custom materials and finishes available upon request



Shown with small dimensions

FINISHES	COPPER	TIN	
	NACP Natural**	AGTN Aged	
	BZCP Bronzed**	NATN Natural**	**Clear coat finish available
	OXCP Oxidized	BRTN Brushed**	
	LDCP Leaded		

\*Interior use only

\*\*Filament LED (2-6 watt) bulbs strongly recommended with optional wax sleeves

