



English Box Wall Lantern

Mirrored back with a door that opens from the front, this lantern features two candles for the perfect amount of light. Originally made in England, found in Virginia, c. 1750.



Shown with an aged tin finish and yellow gold leaf.

SPECIFICATIONS

- UL listed for Dry location (may comply with Damp location when surface mounted to covered ceiling away from rain or sprinklers)
- 2" x 4" junction box

One Size

- 8.25" w x 5.25" d x 20" h
- Two Lamp
- 60-watt max** candelabra (E12) socket

Materials

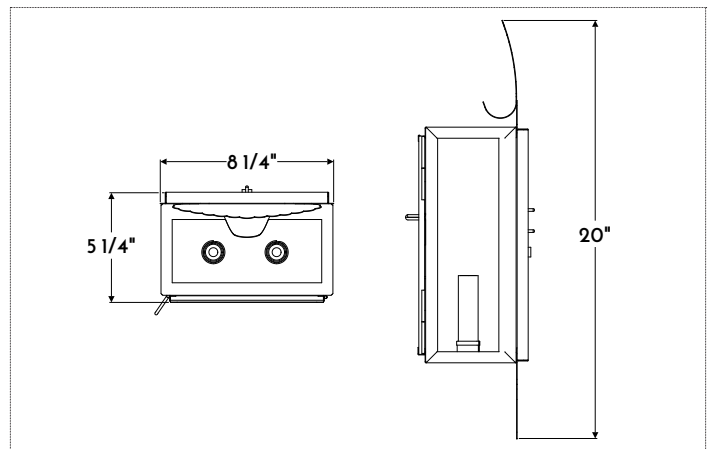
- Tin*

Finishes

- AGTN / Gilded*

Other Options

- Plain or Antiqued Mirror
- Custom materials and finishes available upon request



FINISHES	COPPER	TIN	**Clear coat finish available
	NACP Natural**	AGTN Aged	
	BZCP Bronzed**	NATN Natural**	
	OXCP Oxidized	BRTN Brushed**	
	LDCP Leaded		

*Interior use only

**Filament LED (2-6 watt) bulbs strongly recommended with optional wax sleeves

