



## Pewter Reflector Box Lantern

This unique blend of the English Box Wall Lantern & Pewter Reflector Wall Sconce offers the flexibility of transitional style for both period & modern design projects.



Shown with an aged tin finish.

### SPECIFICATIONS

- UL listed for Dry location (may comply with Damp location when surface mounted to covered ceiling away from rain or sprinklers)
- 2" x 4" junction box

#### One Size

- 9.5" w x 5" d x 11.25" h
- Two Lamp
- 60-watt max\*\* candelabra (E12) socket

#### Materials

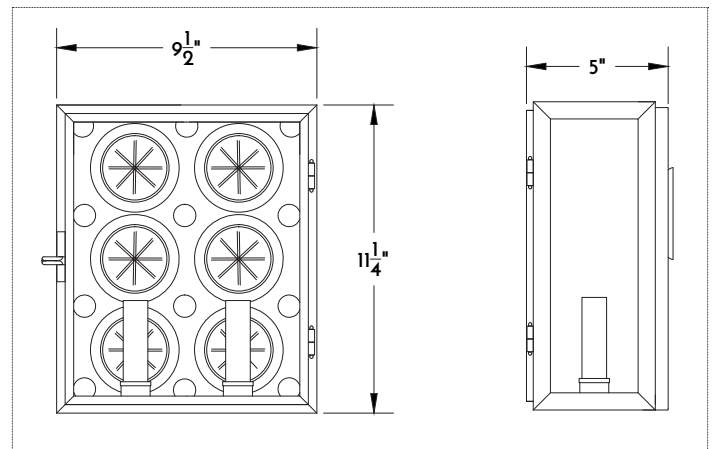
- Tin\*
- Pewter\*

#### Finishes

- Aged Tin / Natural Pewter\*

#### Other Options

- Plain, Seeded, Frosted, Opal or Restoration Glass
- Custom materials and finishes available upon request



FINISHES	COPPER		TIN		**Clear coat finish available
	NACP	Natural**	AGTN	Aged	
	BZCP	Bronzed**	NATN	Natural**	
	OXCP	Oxidized	BRTN	Brushed**	
	LDCC	Leaded			

\*Interior use only

\*\*Filament LED (2-6 watt) bulbs strongly recommended with optional wax sleeves

