



Fan Top Wall Sconce

Inspired by an 18th century flemish wall sconce found in Pennsylvania, this decorative sconce features an ornate double rolled bobèche arm.



Shown with an aged tin finish.

SPECIFICATIONS

- UL listed for Dry location (may comply with Damp location when surface mounted to covered ceiling away from rain or sprinklers)
- 2" x 4" junction box

One Size

- 4.25" w x 6.75" d x 11.25" h
- One Lamp
- 60-watt max** candelabra (E12) socket

Materials

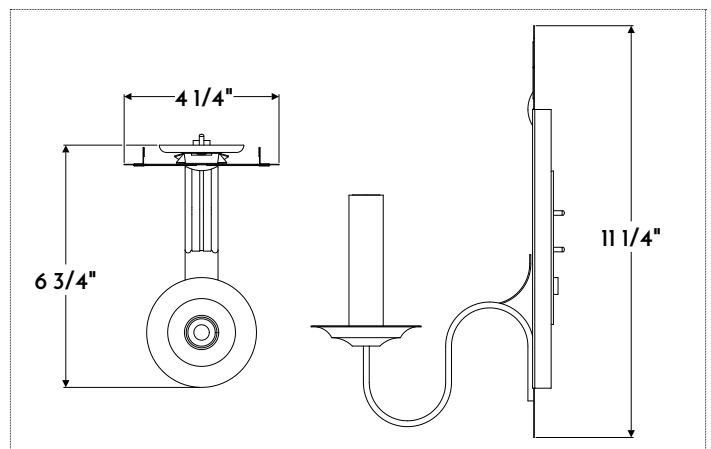
- Tin*

Finishes

- AGTN*

Other Options

- Custom materials and finishes available upon request



FINISHES

COPPER
 NACP Natural**
 BZCP Bronzed**
 OXCP Oxidized
 LDCC Leaded

TIN
 AGTN Aged
 NATN Natural**
 BRTN Brushed**

**Clear coat finish available

*Interior use only

**Filament LED (2-6 watt) bulbs strongly recommended with optional wax sleeves

