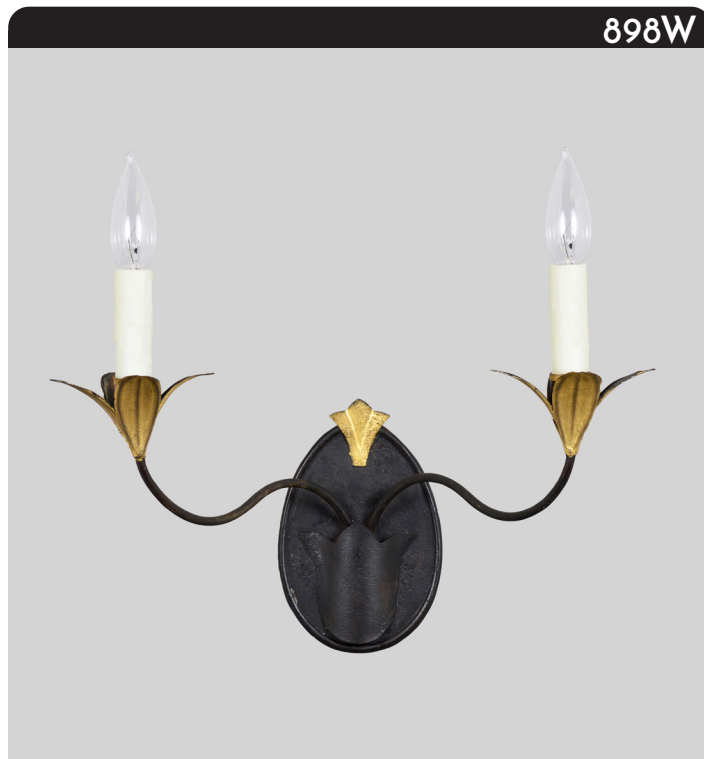




# Tulip Bobeche Double Arm Sconce

This 18th century New England inspired double arm sconce is designed to coordinate with the Tulip Chandelier, featuring Gold Leaf and bobeches decorated with tulip leaves.



Shown with an aged tin finish & yellow gold leaf.

## SPECIFICATIONS

- UL listed for Dry location (may comply with Damp location when surface mounted to covered ceiling away from rain or sprinklers)
- 2" x 4" junction box

### One Size

- 16.5" w x 8" d x 11" h
- Two Lamp
- 60-watt max\*\* candelabra (E12) socket

### Materials

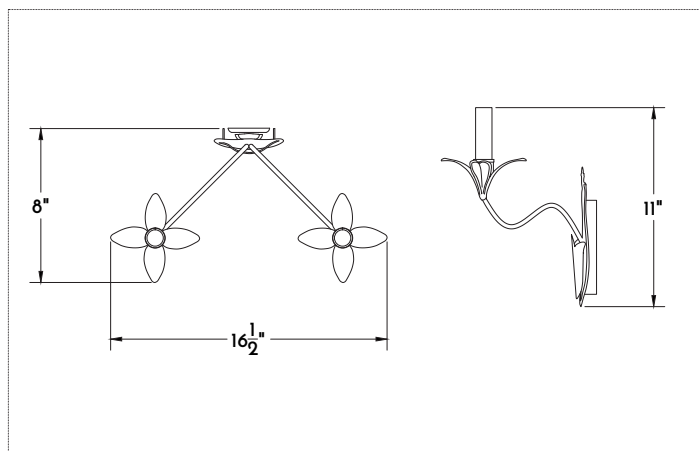
- Tin\*

### Finishes

- AGTN / Gilded\*

### Other Options

- Available with Yellow or White Gold Leaf
- Custom materials and finishes available upon request



FINISHES	COPPER	TIN	
	NACP Natural**	AGTN Aged	
	BZCP Bronzed**	NATN Natural**	**Clear coat finish available
	OXCP Oxidized	BRTN Brushed**	
	LDCP Leaded		

\*Interior use only

\*\*Filament LED (2-6 watt) bulbs strongly recommended with optional wax sleeves

