



Three Sided Wall Lantern

Inspired by a lantern found in Massachusetts in the early 19th century, this fixture features decorative punchwork that provides lighting with a sense of purpose.



Shown with an aged tin finish & faux bracket.

SPECIFICATIONS

- All sizes UL listed for Dry location (may comply with Damp location when surface mounted to covered ceiling away from rain or sprinklers)
- 2" x 4" junction box

Small

- 7.5" w x 6.75" d x 14.875" h
- One Lamp
- 60-watt max** candelabra (E12) socket

Large

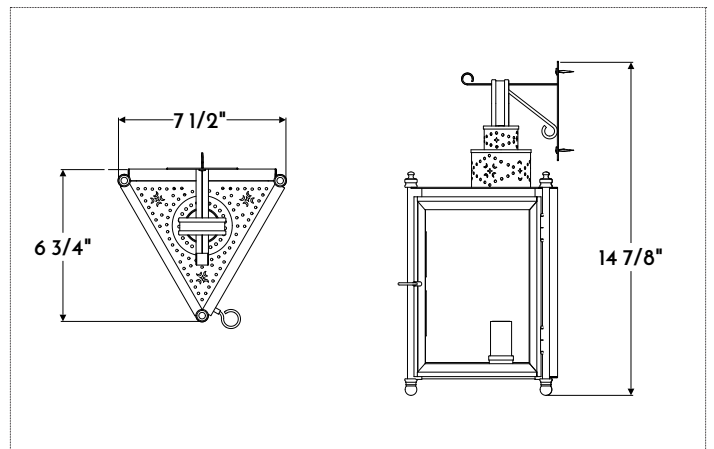
- 10.75" w x 9.5" d x 21.875" h
- One Lamp
- 60-watt max** candelabra (E12) socket or 100-watt max (E26) socket

Materials

- Tin*

Finishes

- AGTN*



Shown with small dimensions

FINISHES	COPPER		**Clear coat finish available
	NACP	Natural**	
	BZCP	Bronzed**	
	OXCP	Oxidized	
	LDPC	Leaded	
TIN			
AGTN	Aged		
NATN	Natural**		
BRTN	Brushed**		

Other Options

- Plain, Seeded, Frosted, Opal or Restoration Glass
- Plain Mirror Antiqued Mirror or Pewter Reflector
- Custom materials and finishes available upon request

*Interior use only

**Filament LED (2-6 watt) bulbs strongly recommended with optional wax sleeves

