

Three Sided Hanging Lantern

Inspired by a hanging lantern found in Massachusetts in the early 19th century, this fixture features decorative punchwork that provides lighting with a sense of purpose.



Shown with an aged tin finish.

SPECIFICATIONS

- All sizes UL listed for Dry location (may comply with Damp location when surface mounted to covered ceiling away from rain or sprinklers)
- Includes 5" canopy and 36" chain
- 4" octagonal junction box

Small

- 7.5" w x 6.75" d x 14" h
- One Lamp
- 60-watt max** candelabra (E12) socket

Large

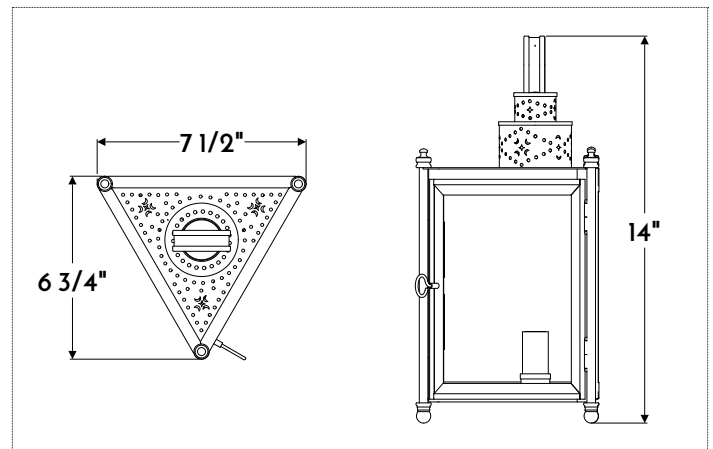
- 10.75" w x 9.5" d x 21" h
- One or Three Lamp
- 60-watt max** candelabra (E12) socket or 100-watt max (E26) socket

Materials

- Tin*

Finishes

- AGTN*



Shown with small dimensions

FINISHES

COPPER
NACP Natural**
BZCP Bronzed**
OXCP Oxidized
LDCC Leaded

TIN
AGTN Aged
NATN Natural**
BRTN Brushed**

**Clear coat finish available

Other Options

- Plain, Seeded, Frosted, Opal or Restoration Glass
- Custom materials and finishes available upon request

*Interior use only

**Filament LED (2-6 watt) bulbs strongly recommended with optional wax sleeves

