



Salem Wall Lantern

Similar to a lantern found in the Henry Ford Collection, this type of lantern could be seen at the Eagle Tavern in Historic Halifax and the Old Wash Place. c. 1780 - 1830.



Shown with a bronzed copper finish & a shepherd's crook bracket.

SPECIFICATIONS

- UL listed for Wet location
- 2" x 4" junction box

One Size

- 12.5" w x 12.5" d x 25.5" h
- Two Lamp
- 60-watt max** candelabra (E12) socket

Materials

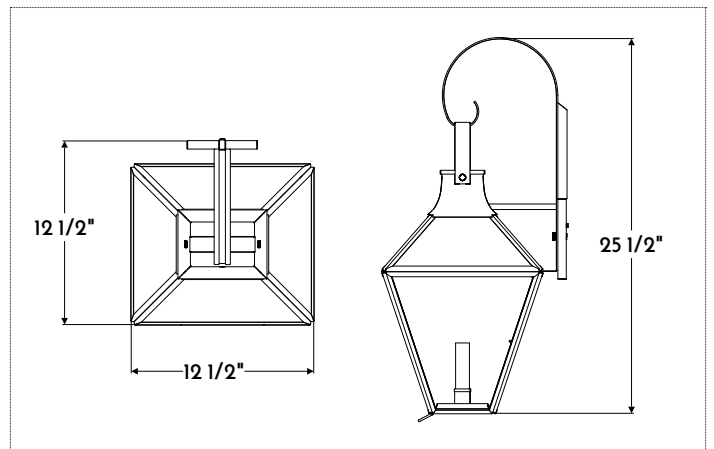
- Copper

Finishes

- NACP, BZCP

Other Options

- Plain, Seeded, Frosted, Opal or Restoration Glass
- Custom materials and finishes available upon request



FINISHES	COPPER PATINA	COPPER LACQUER	TIN
	NACP Natural	BLAQ Black	AGTN Aged
	BZCP Bronzed	BZAO Bronze	BLAQ Black Lacquer
	OXCP Oxidized		
	BRCP Brushed		

**Filament LED (2-6 watt) bulbs strongly recommended with optional wax sleeves

