



## English Gas Wall Lantern

After the development of gas lighting in England, governments were required to light the streets. This fixture is inspired by an early 19th century lantern found in England.



Shown with a bronzed copper finish & lantern yoke bracket.

### SPECIFICATIONS

- All sizes UL listed for Wet location
- 60-watt max\*\* candelabra (E12) socket or 100-watt max (E26) socket
- 2" x 4" junction box

#### Small

- 13.5" w x 15.75" d x 21" h
- One Lamp

#### Medium

- 17" w x 18.5" d x 25.75" h
- One or Three Lamp

#### Large

- 19" w x 20.5" d x 29.5" h
- One or Three Lamp

#### Materials

- Copper

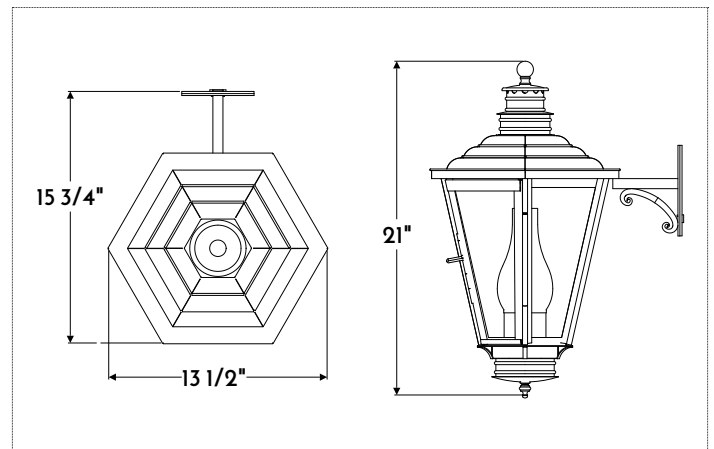
#### Finishes

- NACP, BZCP, OXCP, LDCP

#### Other Options

- Plain, Seeded, Frosted, Opal or Restoration Glass
- Lantern Yoke, Heavy Duty Gooseneck or Wing Bracket
- Custom materials and finishes available upon request

\*\*Filament LED (2-6 watt) bulbs strongly recommended with optional wax sleeves



Shown with small dimensions

#### FINISHES

**COPPER**  
NACP Natural\*\*  
BZCP Bronzed\*\*  
OXCP Oxidized  
LDCP Leaded

**TIN**  
AGTN Aged  
NATN Natural\*\*  
BRTN Brushed\*\*

\*\*Clear coat finish available

