



# English Gas Post Lantern

After the development of gas lighting in England, governments were required to light the streets. This fixture is inspired by an early 19th century hanging lantern found in England and is accompanied by a 3" post collar.



Shown with a bronzed copper finish.

## SPECIFICATIONS

- All sizes UL listed for Wet location
- 60-watt max\*\* candelabra (E12) socket or 100-watt max (E26) socket

### Small

- 13.5" w x 22" h
- One Lamp

### Medium

- 17" w x 27.25" h
- One or Three Lamp

### Large

- 19" w x 29.75" h
- One or Three Lamp

### Materials

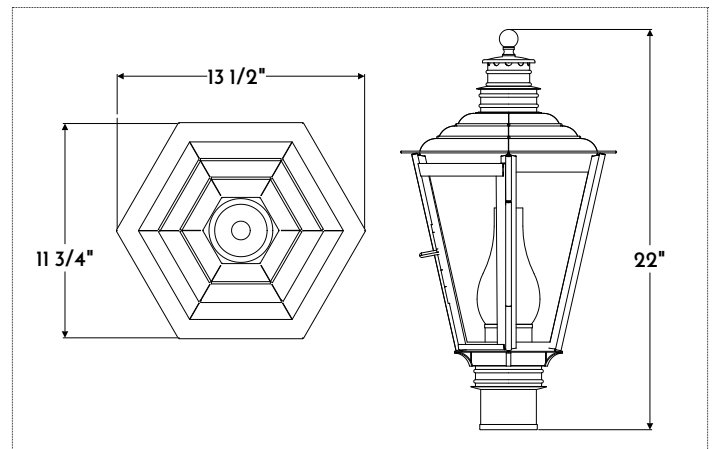
- Copper

### Finishes

- NACP, BZCP, OXCP, LDCP

### Other Options

- Plain, Seeded, Frosted, Opal or Restoration Glass
- Bronze or Iron Post Bracket
- Custom materials and finishes available upon request



Shown with small dimensions

FINISHES	COPPER	TIN	**Clear coat finish available
	NACP Natural**	AGTN Aged	
BZCP Bronzed**	NATN Natural**		
OXCP Oxidized	BRTN Brushed**		
LDCP Leaded			

\*\*Filament LED (2-6 watt) bulbs strongly recommended with optional wax sleeves

