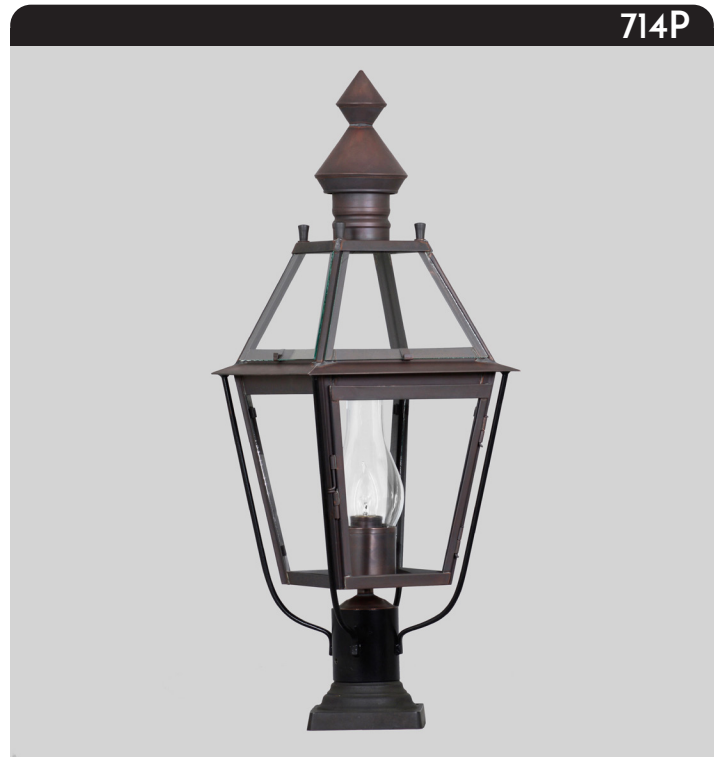




Boston Post Lantern

This popular lantern is inspired by Boston street lighting typical to late 18th to early 19th century and is accompanied by a 3" post collar.



Shown with a bronzed copper finish.

SPECIFICATIONS

- All sizes UL listed for Wet location
- 60-watt max** candelabra (E12) socket or 100-watt max (E26) socket

Small

- 12" w x 32" h
- One Lamp

Medium

- 14" w x 37.5" h
- One or Three Lamp

Large

- 16" w x 43.5" h
- One or Three Lamp

Materials

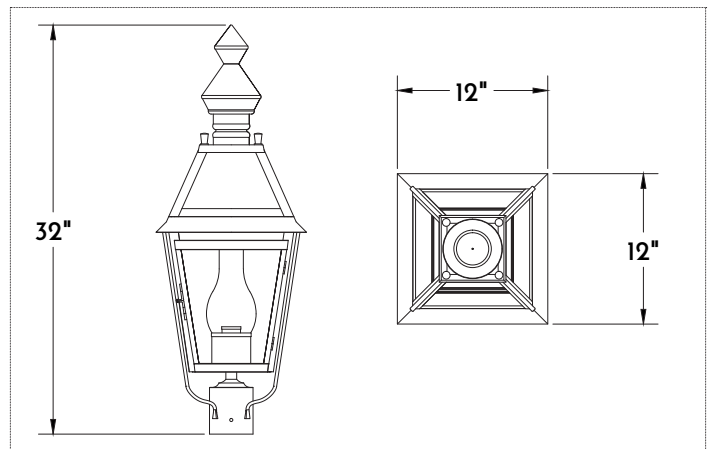
- Copper

Finishes

- NACP, BZCP, OXCP, LDCP

Other Options

- Plain, Seeded, Frosted, Opal or Restoration Glass
- Bronze or Iron Post Bracket
- Custom materials and finishes available upon request



Shown with small dimensions

FINISHES	COPPER	TIN	
	NACP Natural**	AGTN Aged	**Clear coat finish available
	BZCP Bronzed**	NATN Natural**	
	OXCP Oxidized	BRTN Brushed**	
	LDCP Leaded		

**Filament LED (2-6 watt) bulbs strongly recommended with optional wax sleeves

